



SPRING NEOTAP

Hot, Cold, Sparkling Underbench Unit

INSTALLATION AND OPERATION GUIDE

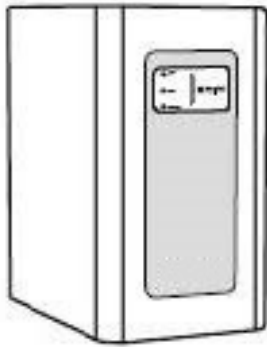


CONTENTS	
Preface/Parts	1
Piping Installation - Diagram	2
Piping Installation - Instructions	3-4
Co2 Bottle - Installation	5
Hot Water Operation - Underbench	6
Neotap Faucet - Functions	7-8
Neotap Faucet - Troubleshooting	9
Push Lock Fitting & Plumbers Delight Installation	10
Leakage Detection and Swivel	11
Maintenance	12
Troubleshooting	13
Specification Sheet	14

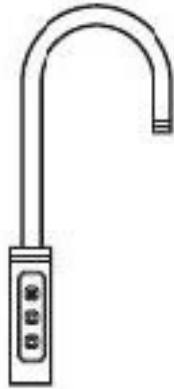
Please read these instructions completely before operating this unit

PREFACE/PARTS

Before using this machine, we advise you to read this manual thoroughly. Please follow the instructions to ensure proper operation and the lasting of the machine



NEOTAP - Hot, Cold, Sparkling



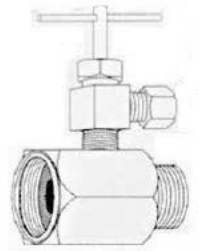
Faucet



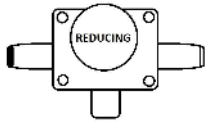
Co2 Bottle



Regulator



Brass Tee Off Valve (Plumbers Delight)



Pressure Reducing Valve (PRV)



Straight Connector



Wiring Loom



1/4" Tube (COLD Water)



Power Cord



KDF50 Filter

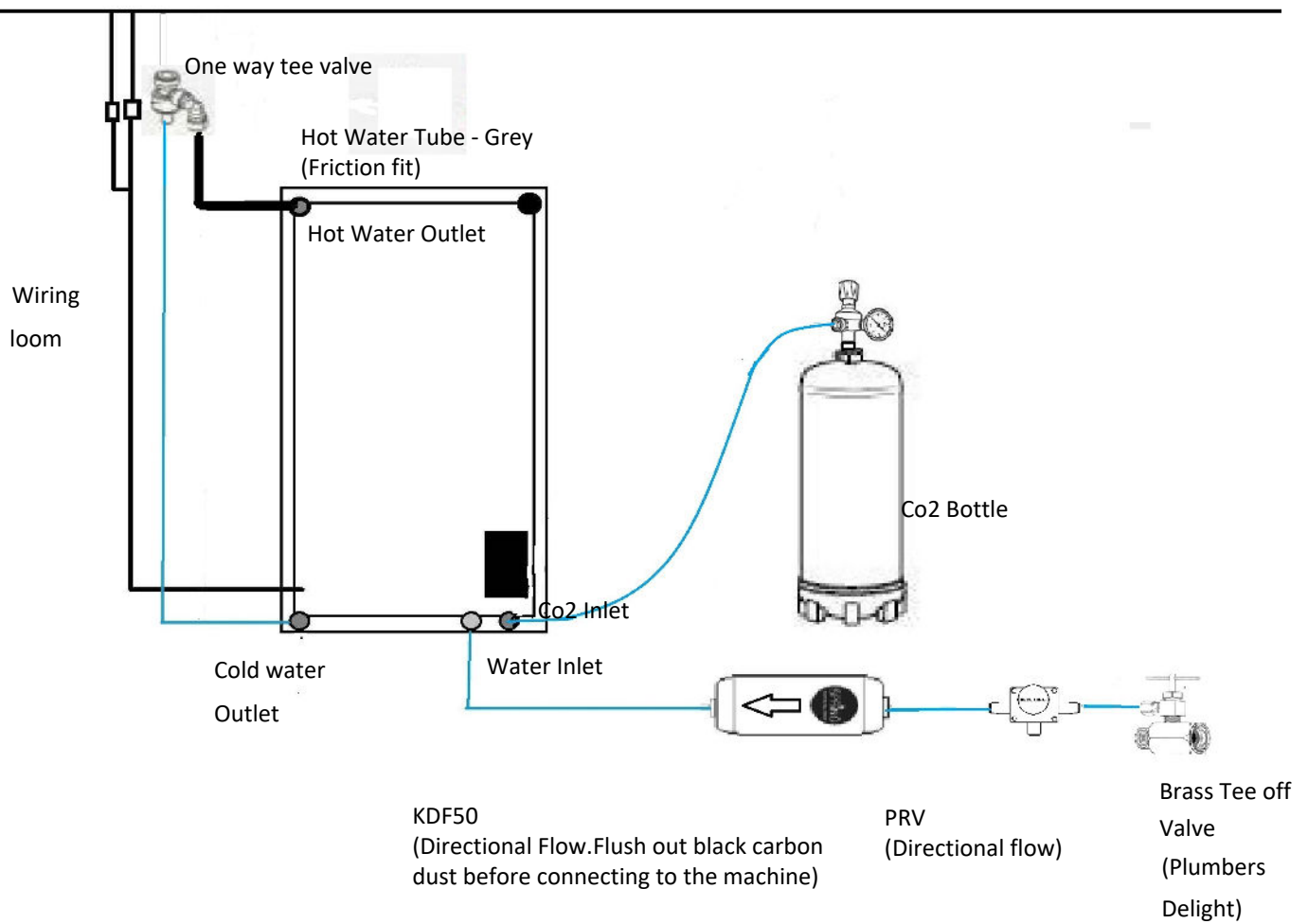
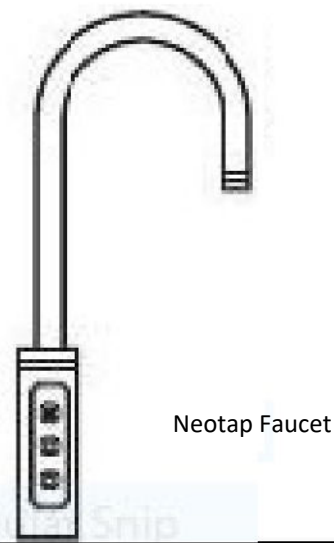


Black Silicone Pipe (HOT Water)



Regulator Adapter (2.2L Gas Bottle)

PIPING INSTALLATION - DIAGRAM



PIPING INSTALLATION

We recommend the instructions specified in this guide be followed in sequence by a qualified tradesperson to an existing potable water supply for successful installation

When installing please ensure the unit is easily accessible for service and maintenance

This Neotap has a 12 month back to base warranty from purchase, but this may be voided if unsatisfactory installation results in damage to the unit.

1. Select the appropriate position for the tap to ensure it dispenses into the sink, allowing ample clearance below the outlet. Drill a 25mm hole
2. Isolate the water supply. Disassemble the original COLD water Tap/Flexihose connections. Reconnect the plumbers delight inline
3. Using the 1/4" Pipe provided connect the 1/4" inlet ball valve to the Pressure Reducing Valve. The PRV is then connected to the KDF30 Filter and finally into the water inlet. Please ensure the filter has been flushed before connecting. The PRV and Filter have a directional water flow, connect as marked on the part
4. Connect the straight connector to the white tube from the faucet
5. Remove the black cap off the clear pipe from the faucet. Push the Black silicone pipe over the clear tube. Connect the other end of the black tube the the Hot Water Outlet (Pressure Fit - No connector required)
6. Remove the black plastic nut from the faucet thread and connect the wiring loom. Be careful not to bend/break the pins
7. Feed the straight adapter, faucet connections and wiring loom through the hole in the tap. Position so the tap sits flush with the bench-top
8. Screw and tighten the tap nut to ensure the tap is correctly positioned on top. Be careful not to over-tighten as this may split the plastic nut (Recommend using 27mm tube spanner - Not included)
NOTE: Once placed do not swivel the tap - Internal tubes and cables within the faucet cannot handle rotation more than 180deg and risk being damaged
9. Find the best place for the NEOTAP unit under the bench, allowing 150mm clearance around the top and rear of the unit for ventilation. Allow room for the filter and piping as specified above, and Co2 bottle (OPTIONAL)
NOTE: If the cupboard does not allow room for filter/Co2 bottle allow enough 1/4" pipe for it to be situated elsewhere
10. Using a length of 1/4" pipe connect the straight adapter to the cold water outlet as per the piping diagram (There may be 1 or 2 outlets dependent on model)
11. Carefully attach the wiring loom to the NEOTAP unit. Connect the machine to the power supply using the cord at the rear of the unit. Leave power and water supply OFF

PIPING INSTALLATION

Co2 Bottle Installation : Please skip to step 16 if you have a Non-Sparkling model

12. Place the Co2 bottle upright in the undersink cavity as close to the NEOTAP unit as possible

DISPOSABLE GAS BOTTLE AND REGULATOR - INSTRUCTIONS

1. To connect disposable gas bottle, first thread the adapter onto the gas bottle making sure the dial at the top is closed (Completely anti clockwise)
2. Attach the regulator to the adapter making sure the the regulator is also in the OFF position (Completely anti-clockwise)
3. Open the gas bottle by turning the dial at the top of the adapter clockwise

[Continue to Step 15](#)

REUSABLE GAS BOTTLE AND REGULATOR - INSTRUCTIONS

12. Turn the knob fully anti-clockwise to ensure the regulator is in the OFF position
13. Connect the Co2 bottle to the regulator by screwing the regulator onto the bottle firmly (Clockwise). Be careful not to overtighten to avoid damaging the nut
14. Open gas bottle by turning the main bottle valve anticlockwise
15. Attach the regulator to the Co2 connector at the rear of the unit using the 1/4" pipe provided. **DO NOT OPEN REGULATOR** - This is addressed in Co2 Operation
16. Ensure the whole unit and its components have at least 150mm ventilation surrounding
17. Check there are no kinks or "sag" in the tubing from the unit to the faucet. This will ensure that any reduction in water flow is reduced
18. Ensure all fittings, electrical connections and piping are secure to and from the unit
19. Turn on the Water and Power supply

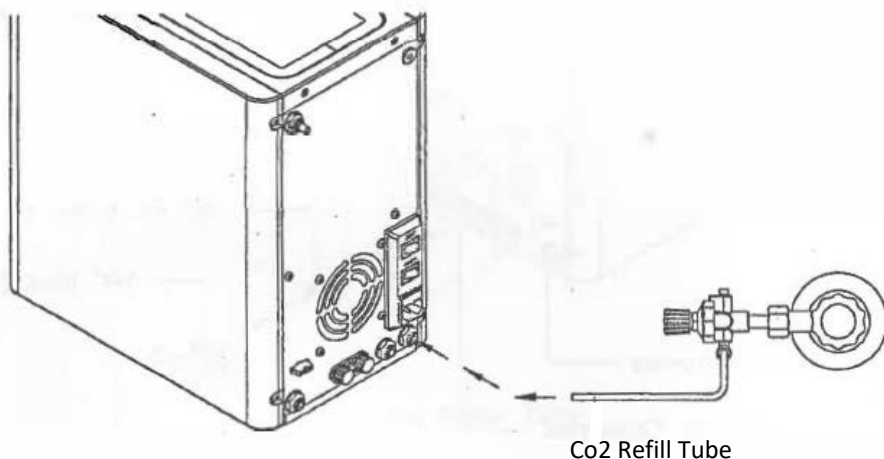
Co2 BOTTLE - INSTALLATION

1. Ensure the Co2 bottle is connected firmly to the regulator and the Co2 tube is fitted correctly.
2. Slowly turn the dial on the regulator clockwise until the gauge reads 3BAR

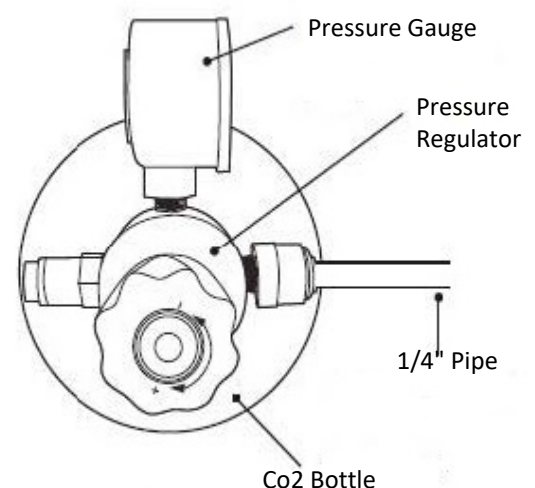
(Note: If you want to reduce the pressure you must first turn the dial anticlockwise and then vent to relieve existing pressure. The gauge will then settle and read accurately)

3. Turn off the water at the valve and purge any air from the sparkling line by pressing the sparkling button on the tap for 30 seconds.
4. Turn the water back on at the valve and the SODA switch at the rear of the unit.
5. Press the sparkling button on the tap for 15 seconds to allow any excess Co2 to be dispensed
6. Operate the sparkling button on the tap 2-3 times for 15seconds each time (1minute cooldown) until you notice the water is sparkling. Pressure will fluctuate between 3-4 bar

All Co2 bottles should be upright during use, storage and transit. If the bottle has been left horizontal, place upright and stand for 60+ minutes before use to allow contents to settle



TOP VIEW - Co2 Bottle



HOT WATER OPERATION - UNDERBENCH



1. Press the HOT button on the Faucet. Make sure the water is flowing before turning on the HOT power switch at the rear of the unit (This will ensure the HOT tank in the unit is full before turning on the element to prevent it burning out)
2. As soon as the HOT switch is on the HEATING LED light will illuminate. The LED will turn off once the heating process is complete
3. Hot water temperature can be adjusted using the settings button on the face of the unit. Press and hold the settings button for 3 seconds LED will flash. Press again and the Led light will cycle through LOW, MEDIUM and HIGH

COLD AND SPARKLING - UNDERBENCH



1. After piping and Co2 connection is completed turn on SODA power switch
2. Push any water button to allow the mains water to fill the soda tank
3. Leave for 40 minutes (Cooling Period)
4. Push COLD button for chilled water or SODA button for sparkling water

NOTE: For safety, water draining will stop after 1 minute. If you need more water re-press the button

NEOTAP FAUCET - SYMBOLS

ECO MODE DISPLAY

Eco-mode is designed to save wasting unnecessary power when the unit is not in use. The Neotap will shut down the heating function after 1 minute when the sensor detects the ambient light in the room has been shut off. The unit will reboot once the sensor detects ambient light is present again (Either with the lightswitch being turned on or daylight)

Follow the below steps to scroll through the settings and turn the Eco function off

SETTINGS MODE

Press and hold the settings button for 5 seconds to enter setting mode

In settings mode the chosen temperature setting will be blinking, press once to scroll through the options

When needed temperature is chosen press any water dispensing button (Hot, cold or ambient) to save the temperature setting

100 - Indicates the HOT water will be 100% of the highest temperature
90 - Indicates the HOT water will be 90% of the highest temperature
80 - Indicates the HOT water will be 80% of the highest temperature

Eco mode can also be turned on or off using the above method

Press any button once to confirm selection. Please wait 100 seconds before dispensing water

HOT WATER TEMPERATURE/REHEATING

After the hot tank has been emptied, it will take some time to reboil
Depending on how empty the tank is, the relevant LED percentage will flash while reboiling. The LED will then be solid when it has reached that temperature percentage, then flash at the next percentage until it has reached the next threshold and so on

To **reboil** to the maximum temperature (100%) press the setting button once. The 100 LED will flash while reboiling and turn solid when optimal temperature has been reached

The tap is in SLEEP MODE when the blue light is on. Press the desired button once and the light will turn from BLUE to GREEN to indicate the tap is ready



NEOTAP FAUCET - COLD AMBIENT INSTRUCTIONS



COLD



SPARKLING



HOT

1. Turn on the COLD switch at the rear of the unit
2. Leave to cool for 40 minutes
3. Press the COLD button for Chilled water
4. Please wait at least 2 seconds after the HOT button is released before pressing for Chilled or Ambient water

The water will stop flowing after 1 minute. If you need more water re-press

NEOTAP FAUCET - HOT WATER INSTRUCTIONS

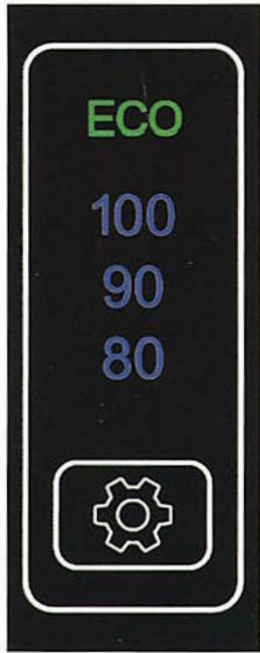
Press the HOT button on the faucet twice to dispense. The first press is to unlock, then for safety reasons press and hold for 3 seconds to allow water to flow

For best results allow 5 seconds to pass before using, this allows the pipe to completely fill with HOT Water

If needing multiple cups please continuously hold or dispense within 5 seconds. After 5 seconds of no use, the HOT Tank will refill with Cold water. This will reduce the temperature until the water reheats

Please note the final temperature may vary dependant on the length of the tube, ambient air temperature and other factors

MULTITAP FAUCET - Troubleshooting



All LEDs including buttons are blinking

Leak warning (Detected inside underbench unit)

100 Digital LED Light blinking

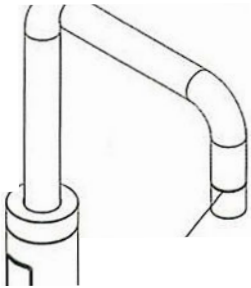
Overheating - Temperature over 105 degrees (Dry Heat)

100 and 80 Digital LED Light blinking

Dry heat is detected (No water in HOT Tank)

100, 90, 80 Digital Blinking

Over time heating warning (Abnormal long heating time)

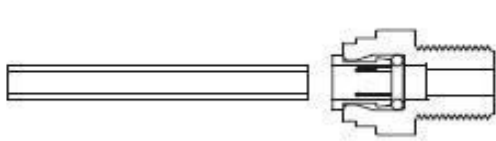


Faucet outlet LED and HOT indicator light is blinking

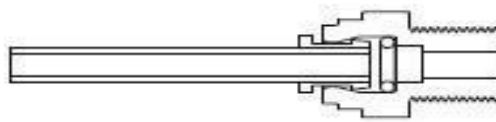
No water is filled into HOT Tank, need to check inlet water supply

Please contact Spring Water Solutions if any of these issues persist

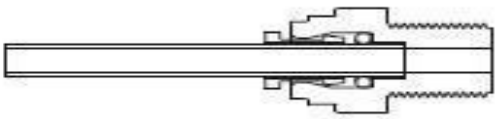
PUSH LOCK FITTING - INSTRUCTIONS



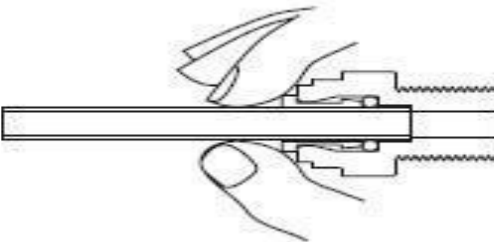
1. Cut the 1/4" Pipe square and push into the fitting.



2. The Push lock fitting will grip before it seals. Ensure the pipe is pushed past the O-Ring into the fitting completely



3. Pipe is secured in position. A small tug back will guarantee the pipe is in place



Disconnection

Pull locking ring flush against the fitting and hold. The pipe can now be released by pulling on it.

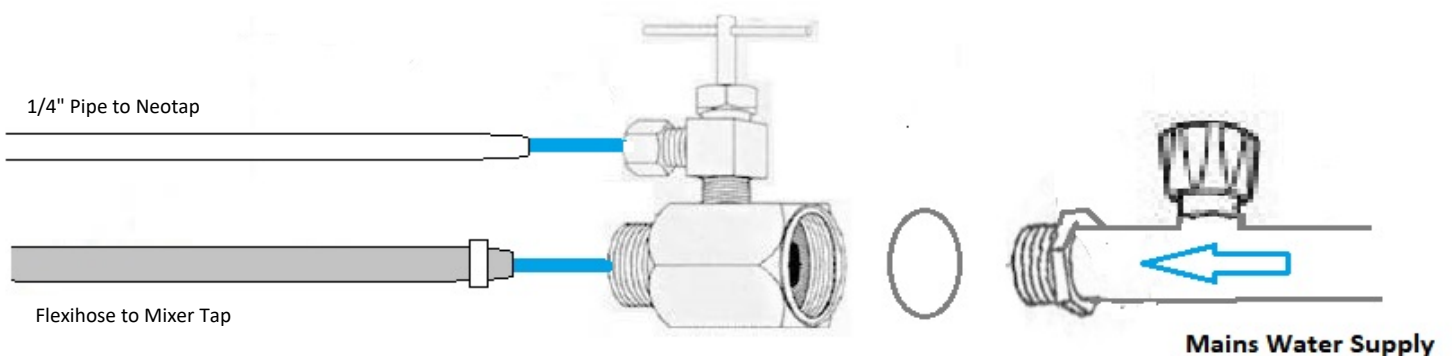
PLUMBERS DELIGHT - INSTALLATION

Disassemble the existing flexihose from the Cold Water Tap

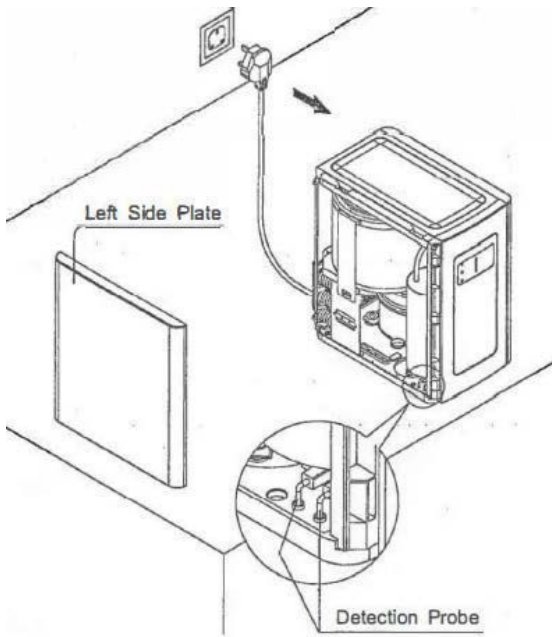
Reconnect the plumbers delight inline

Use tee off for the 1/4 inch pipe to feed the Neotap

Connect the flexihose to the male plumbers delight connection to feed the mixer tap

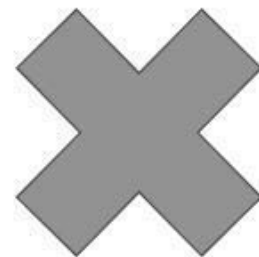
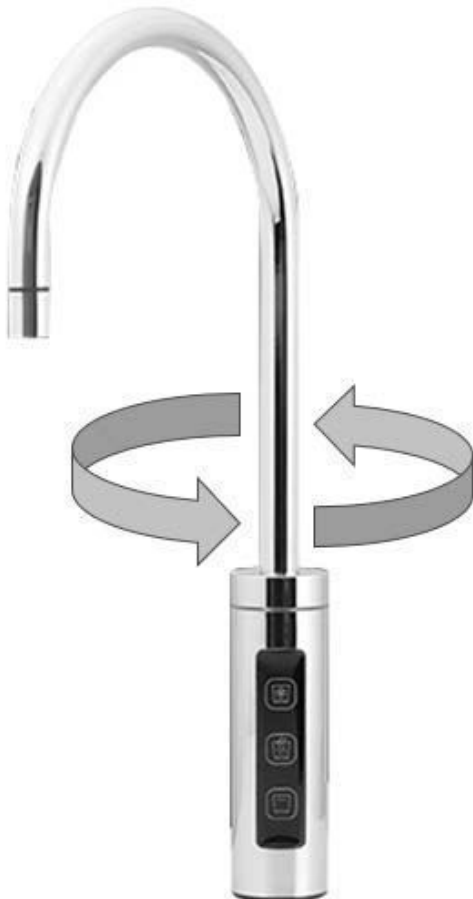


LEAKAGE DETECTION - DIAGRAM



This device has a leakage detection probe fitted for safety purposes. When the probe detects moisture you may notice the LED on the machine flashing accompanied by a beeping noise. We recommend turning off the electricity at the power supply and calling a qualified technician to carry out this work for your safety.

TAP SWIVEL - WARNING



NO SWIVELLING TAP 360°

Internal tubes and cables within the faucet cannot handle completed rotation and will be damaged if turned more than 180 degrees.

Swivel feature is intended to find correct placement on the benchtop. Once placed, the tap should be left alone to avoid damage.

MAINTENANCE GUIDELINES

For effective performance of the Neotap unit Spring Water Solutions recommend 6 monthly service checks and annual filter changes

Points to check on installation and subsequent maintenance

- Please ensure the unit is able to be easily accessed for service and changing of consumables
- Clean unit (Underbench and Faucet) to ensure it is kept in good condition and avoids damage
- Ensure the space is free from obstruction to avoid damage to the unit
- Check faucet connections are tight and functioning correctly to avoid leak
- Check gas pressure to ensure it is within recommended pressure level
- Check joints and fittings are secure to avoid leak
- Change the KDF/GAC50 Filter annually for best performance of Neotap Unit

***Spring Water Solutions offer installation, service and filter changes New Zealand wide
Please get in touch per the information below to book :)***

Trouble Shooting

Problem	Cause	Solution
Water isn't cold	Thermostat is off	Contact for service
	Refridgerant gas is low	Contact for service
	Problem with Compressor or Thermostat	Contact for service
No cold water from Tap	Ice blocking in system	Please turn off the COLD power switch to allow ice block to melt. Will need to contact for service to adjust thermostat
	No water inside unit	Check mains supply
LED at end of faucet flashing	Leak detection activated	Leak detection activated as probe detected water. Contact for service
Change in water taste	Filter change	We recommend changing the filter every 1-2 years. Turn of water supply and replace filter per diagram 1
Low Flow	Filter Change	We recommend changing the filter every 1-2 years. Turn of water supply and replace filter per diagram 1
	Insufficient water supply	Refill unit
Sparkling not working	Soda Power off	Check switch is on
	Co2 output pressure is too high making the water dispenser short	Close the Co2 bottle and release the pressure from the pressure regulator. Press the soda tap to drain out the water and release the pressure inside the tank. Turn off the SODA switch when water has drained. Reopen the Co2 bottle and set the Co2 output to 3 bar. Turn on the Soda Power switch again to start producing Sparkling water
	Co2 has run out	Refill Co2 bottle
	Co2 Line needs recomissioning	Follow the Sparkling Install Instructions Pg3-4
	Not enough bar pressure	Slightly increase Co2 bar pressure (Ideally between 3-4 bar)

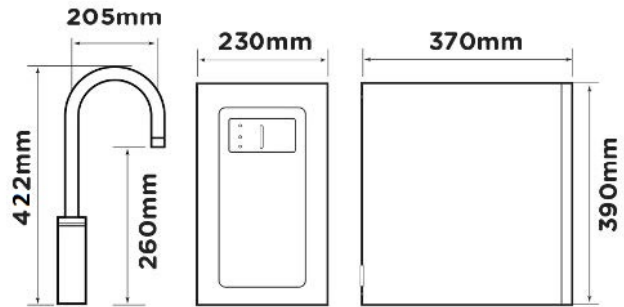
PRODUCT DATA SHEET

Spring NeoTap

INSTANT TAP

Overview

Underbench filter with integrated unit for boiling, chilled, sparkling and ambient drinking water.



Model	Sparkling, Boiling & Chilled, Boiling, Chilled & Ambient, Sparkling, Chilled & Ambient
Filtration	Premium KDF/GAC 50, 1 Micron Filtration
Cold Temperature	4C to 10C
Chilling Capacity	20 Litres per hour
Heating Capacity	12 Litres per hour
Maximum Power consumption	Direct chill system 100W
Weight	18kg
Tap Finish	Chrome, Matte Black
Water connection	1/2 inch
Power requirements	Standard 10amp power outlet (earth leakage protected)
Max. recommended inlet pressure	500 kPa
Required hole for the tap	25mm
Ideal under sink dimension	(w x d h) 230 x 350 x 385mm