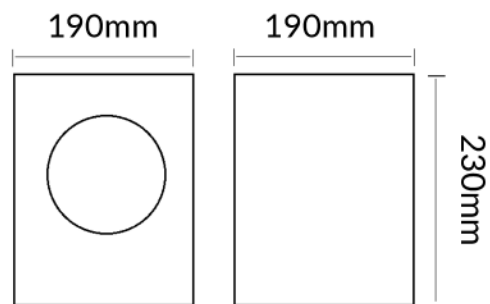


PRODUCT DATA SHEET

Spring UBBLC

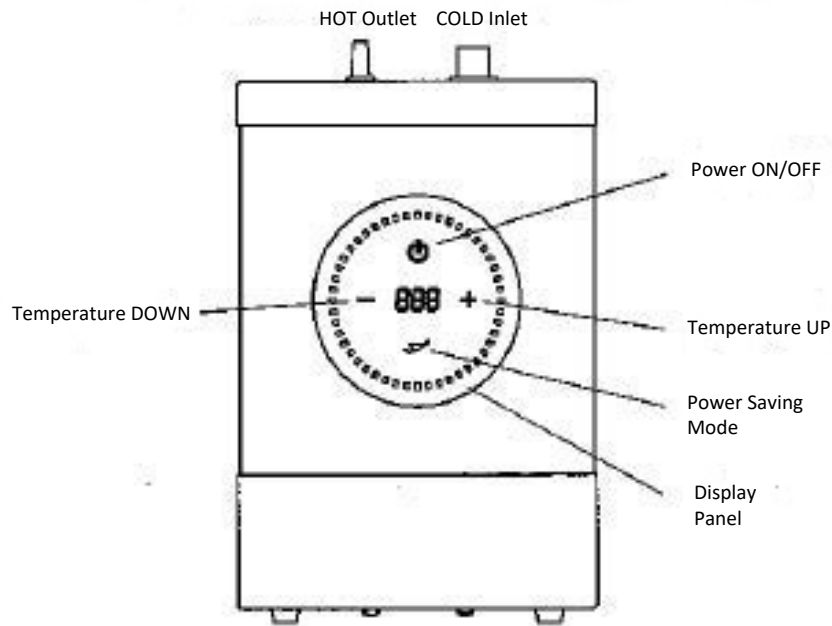
Underbench Boiler Unit

Overview Underbench pressureless boiler unit for use with our range of taps for instant boiling water. Adjustable temperature



Model	SPRING UBBLC
Filtration (Recommended)	Premium KDF/GAC 50, 5 Micron Filtration
Heating Capacity	2.4L
Temperature Range	75 - 98 degrees Celcius (Adjustable)
Power Consumption	1500W
Max Operating Pressure	5 Bar
Water Connection Size (Cold)	Cold Inlet/Outlet 1/4" Push Lock PVC
	Hot Outlet 3/8" Silicone Pipe - Tapered Connection (Pressure Fit)
Power Requirements	Standard 10amp power outlet (Earth Leakage Protected)
Max. Recommended Inlet Pressure	500kpa
Compatible Tap Combinations (Spring)	Spring Duotap, Spring Fusion Tap

SPRING BOILER - DIAGRAM



BOILER - PIPEWORK FOR REPLACEMENT

1. Turn off water supply to the unit and remove faulty boiler
2. Connect existing cold water supply to the inlet of the boiler using push lock system
3. Connect existing hot water supply (Silicone Tube) pressure fit to the outlet of the boiler.
**Note: This is a pressure-less boiler so there is no pressure on this connection only when the tap is flowing. we have included a zip tie to the package to secure if you feel the fit is loose*
4. Check all connections are secure and restore water supply

BOILER - OPERATION INSTRUCTIONS

Once connected to the water supply, connect the Boiler unit to power at the wall. Leave the power switch off at this stage (This is important, as if the boiler is turned on before water has run through the unit it does run the risk of burning out the element)

Ensuring all pipes are connected securely, commission the what would be the boiling water button on your chosen tap until ambient water starts to dispense from the end of the faucet (Can take 1-2 minutes)

The boiler has now been primed correctly. Turn on the BOILER by holding down the power button until the lights at the front of the unit illuminate

Note: If the boiler unit is on, but does not seem to be heating the thermal overload sensor might have activated to avoid the element overheating. This can be reset by inserting a sharp object into the hole in between the 4 screws at the bottom of the boiler. You will hear a "click" once reset

BOILER - TEMPERATURE ADJUSTMENT

Internal thermostat is adjustable between 75 - 98 degrees C

You can adjust the temperature by pressing the - and + buttons on the front of the Boiler While the unit is heating to the desired temperature the red LED will circulate the display panel

Once fully heated all the LEDs circulating the display panel will stay on (stationary)