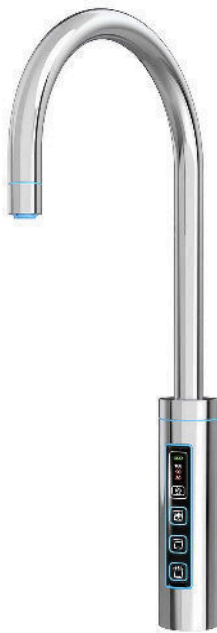




# SPRING NEOTAP

NEOTAP - Hot, Cold, Ambient MultiTap

## INSTALLATION AND OPERATION GUIDE



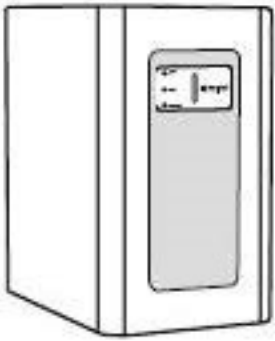
### CONTENTS

Preface/Parts	1
Expanded Faucet Diagram	2
Faucet Installation Guide	3
Neotap - Installation Diagram	4
Piping Installation Instructions	5
Hot Water Operation - Underbench	6
Faucet Operation	7
Faucet - Troubleshooting	9
Pushlock Fitting/Plumbers delight Install	10
Leakage Detection Device and Swivel Tap - Warning	11
Maintenance Guidelines	12
Troubleshooting	13
Product Data Sheet	14

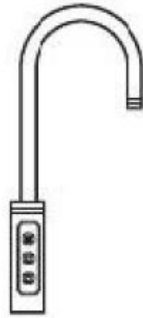
Please read these instructions completely before operating this unit

# PREFACE/PARTS

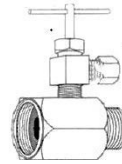
Before using this machine, we advise you to read this manual thoroughly  
Please follow the instructions to ensure proper operation and the lasting of the machine



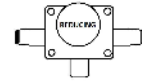
Neotap - Underbench  
Boiling, Chilled, Ambient



Faucet



Brass Tee Off Valve  
(Plumbers Delight)



Pressure Reducing Valve  
((PRV)



KDF50 Filter



1/4" Pipe

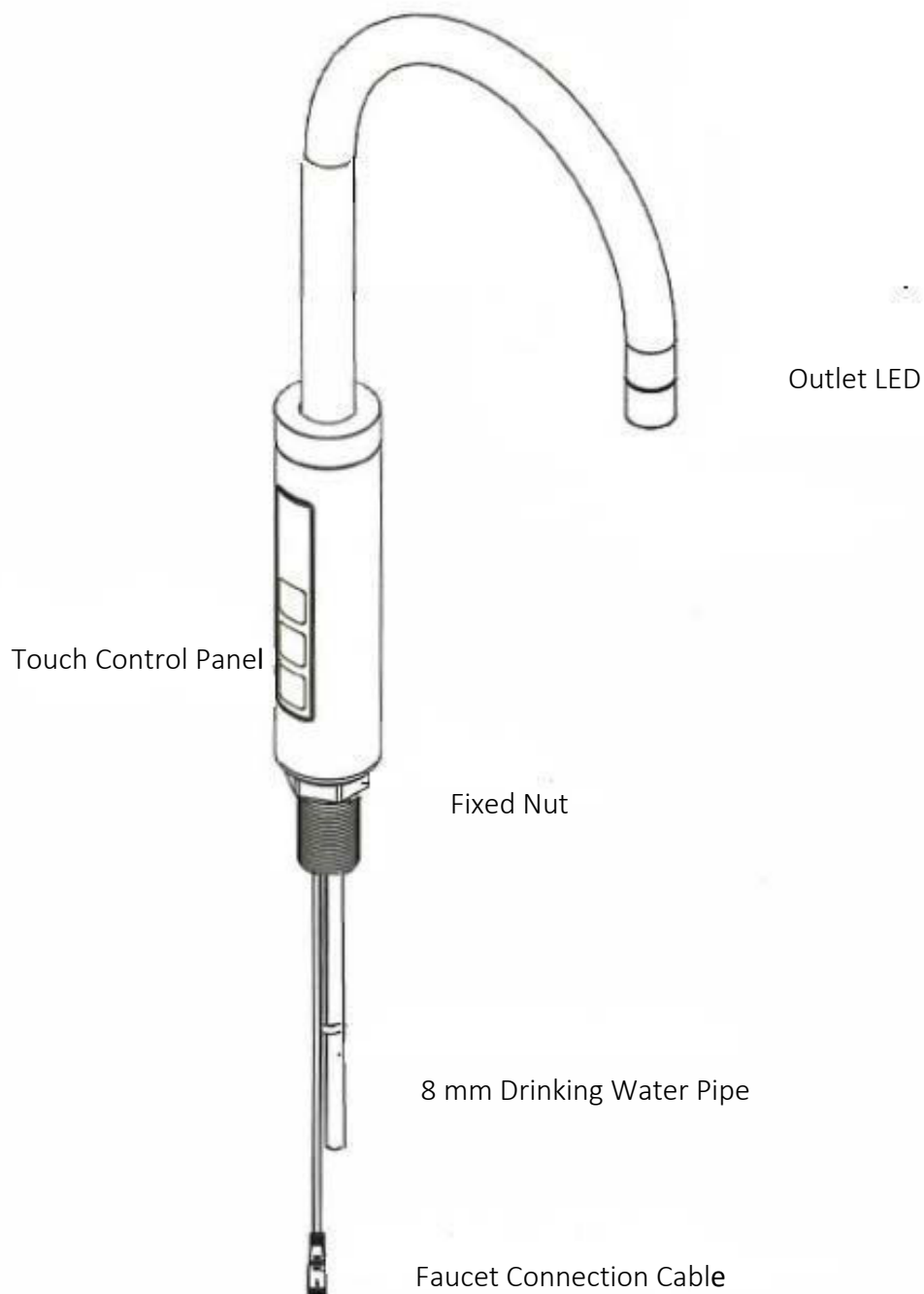


One way tee valve



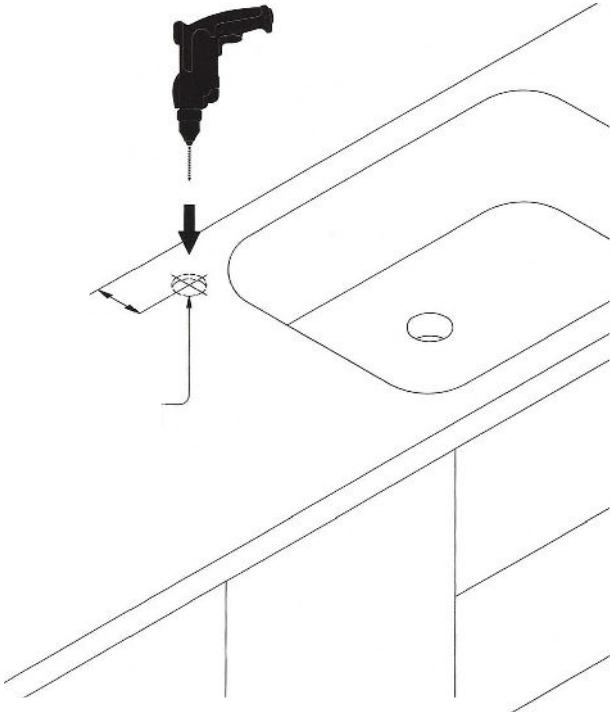
Power Cord

# MULTITAP - EXPANDED DIAGRAM

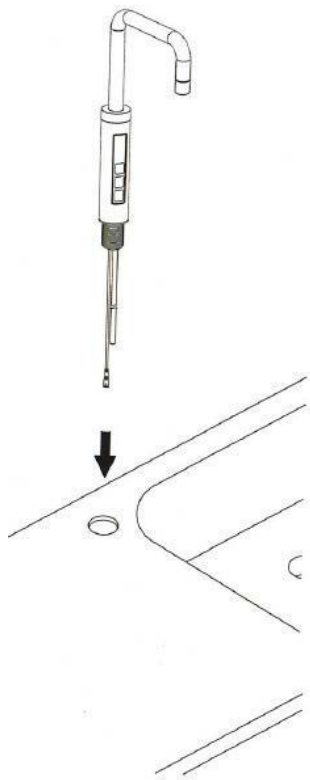


Please check the parts are all correct in the box, and read the manual throughly. To install and use the faucet by following instruction to avoid damage

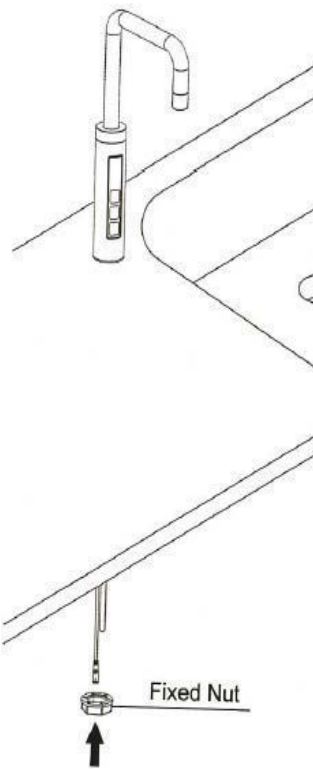
# MULTITAP - INSTALLATION GUIDE



1. Situate placement of hole 50mm or more away from the wall. Drill 35mm through benchtop for faucet installation



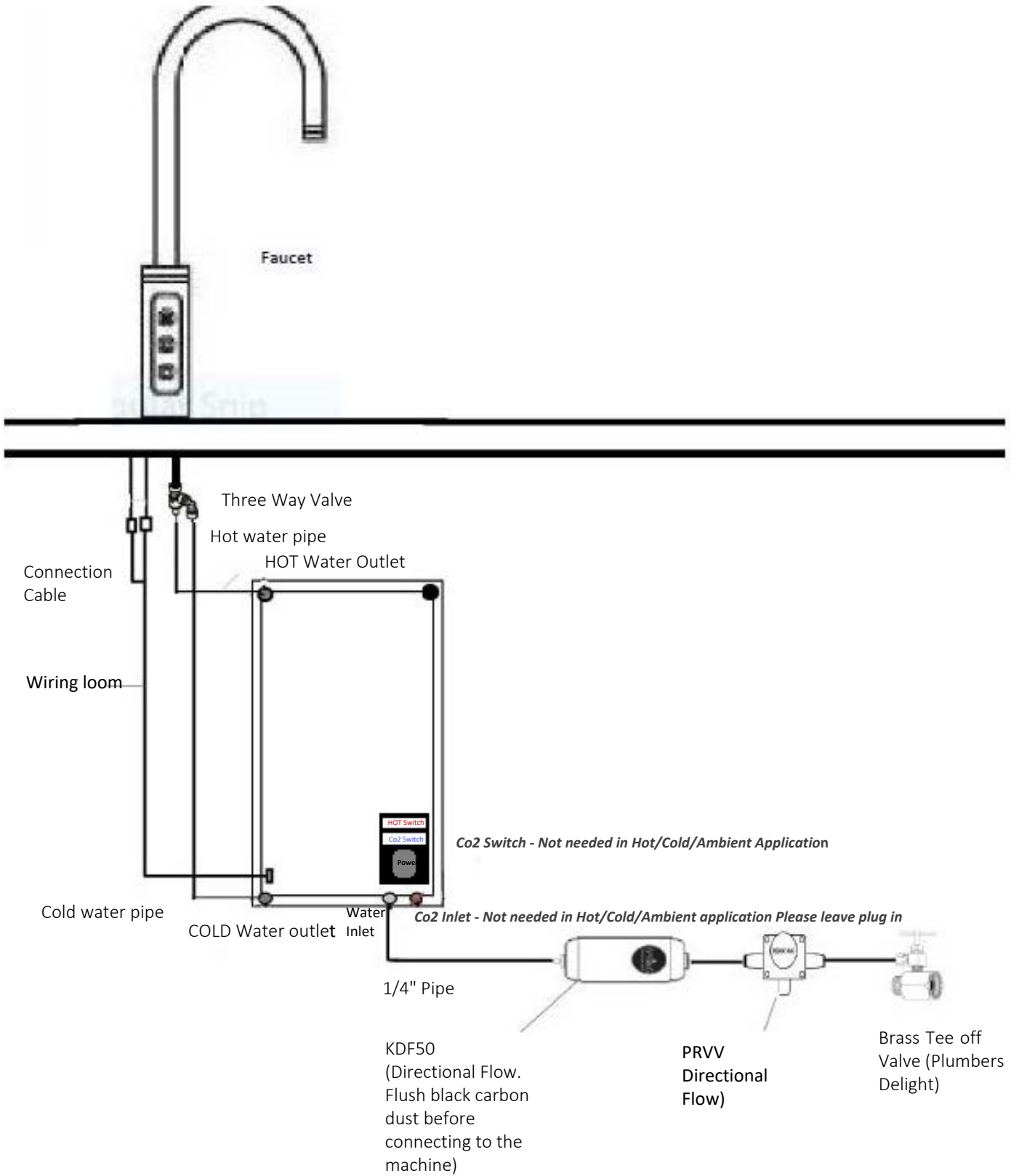
2. Please hold faucet body straight and insert the fixed base into the hole of the benchtop



3. Keep the faucet body straight, then fit the nut through the cable and pipe. Continuously holding the faucet straight tighten the nut

**CAUTION:** Do not rotate the faucet outlet pipe over 180 degrees. This will cause the pipe to be distorted and cause blockage

# PIPING INSTALLATION



# PIPING INSTALLATION

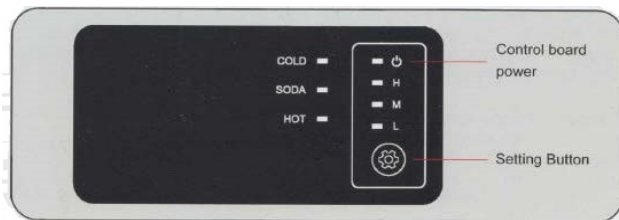
We recommend the instructions specified in this guide be followed in sequence by a qualified tradesperson to existing potable water supply for successful installation.

When installing please ensure the unit is easily accessible for service and maintenance

This Neotap has a 12 month back to base warranty from purchase, but this may be voided if unsatisfactory installation results in damage to the unit

1. Select the appropriate position for the tap to ensure it dispenses into the sink, allowing ample clearance below the outlet and at least 50mm from the wall. Drill a 35mm hole
2. Isolate the water supply. Disassemble the original COLD water Tap/Flexihose connections. Reconnect the plumbers delight inline
3. Using the 1/4" Pipe provided connect the 1/4" inlet ball valve to the Pressure Reducing Valve. The PRV is then connected to the KDF50 Filter and finally into the water inlet. Please ensure the filter has been flushed before connecting. The PRV and Filter have a directional water flow, connect as marked on the part
4. Connect the 8mm Pipe from the Faucet to the top of the one way tee valve (Grey HOT tube, and White COLD tube already attached)
5. Feed the faucet (Including pre-attached pipes) through the pre-drilled hole. Position so the tap sits flush with the bench-top
6. Following the MultiTap Install guide Pg.3 Screw and tighten the tap nut to ensure the tap is correctly positioned on top. Be careful not to over-tighten as this may split the nut  
NOTE: Once placed do not swivel the tap - Internal tubes and cables within the faucet cannot handle rotation more than 180deg and risk being damaged
7. Find the best place for the NEOTAP unit under the bench, allowing 150mm clearance around the top and rear of the unit for ventilation. Allow room for the filter and piping as specified above
8. From the One Way Tee Valve - Connect the Grey pipe to the HOT water outlet at the top of the unit (Pressure Fit)) and the White 1/4" Pipe to the COLD water outlet at the bottom (PushLock)  
NOTE: Ideally the Grey pipe should flow in a straight line upward. This pipe can be shortened and should be as short as possible
9. Carefully attach the wiring loom to the NEOTAP unit
10. Connect the machine to the power supply using the cord at the rear of the unit. Leave power and water supply OFF
11. Ensure all fittings, electrical connections and piping are secure to and from the unit
12. Turn on the water and power supply at the wall

# HOT WATER OPERATION - UNDERBENCH



1. Press the HOT button on the Faucet. Make sure the water is flowing before turning on the HOT power switch at the rear of the unit (This will ensure the HOT tank in the unit is full before turning on the element to prevent it burning out)
2. As soon as the HOT switch is on the HEATING LED light will illuminate. The LED will turn off once the heating process is complete
3. Hot water temperature can be adjusted using the settings button on the face of the unit. Press and hold the settings button for 3 seconds LED will flash. Press again and the Led light will cycle through LOW, MEDIUM and HIGH

NOTE: The Soda switch will be turned ON to enable Ambient water to flow. Sparkling is an optional extra

# NEOTAP FAUCET - SYMBOLS

## ECO MODE DISPLAY

Eco-mode is designed to save wasting unnecessary power when the unit is not in use. The Neotap will shut down the heating function after 1 minute when the sensor detects the ambient light in the room has been shut off. The unit will reboot once the sensor detects ambient light is present again (Either with the lightswitch being turned on or daylight)

Follow the below steps to scroll through the settings and turn the Eco function off

## SETTINGS MODE

Press and hold the settings button for 5 seconds to enter setting mode

In settings mode the chosen temperature setting will be blinking, press once to scroll through the options

When needed temperature is chosen press any water dispensing button (Hot, cold or ambient) to save the temperature setting

100 - Indicates the HOT water will be 100% of the highest temperature  
90 - Indicates the HOT water will be 90% of the highest temperature  
80 - Indicates the HOT water will be 80% of the highest temperature

Eco mode can also be turned on or off using the above method

Press any button once to unlock all buttons. Please wait 100 seconds before dispensing water

## HOT WATER TEMPERATURE/REHEATING

After the hot tank has been emptied, it will take some time to reboil  
Depending on how empty the tank is, the relevant LED percentage will flash while reboiling. The LED will then be solid when it has reached that temperature percentage, then flash at the next percentage until it has reached the next threshold and so on

To reboil to the maximum temperature 100% press the setting button once. The 100 LED will flash while reboiling and turn solid when optimal temperature has been reached

The tap is in SLEEP MODE when the blue light is on. Press the desired button once and the light will turn from BLUE to GREEN to indicate the tap is ready



# NEOTAP FAUCET - COLD AMBIENT INSTRUCTIONS



COLD



AMBIENT



HOT

1. Turn on the COLD switch at the rear of the unit
  2. Leave to cool for 40 minutes
  3. Press the COLD button for Chilled water
  4. Please wait at least 2 seconds after the HOT button is released before pressing for Chilled or Ambient water
- NOTE: After Ambient Water has been delivered, it will flow for an additional 2 seconds after releasing button to clear the line

The water will stop flowing after 1 minute. If you need more water re-press

# NEOTAP FAUCET - HOT WATER INSTRUCTIONS

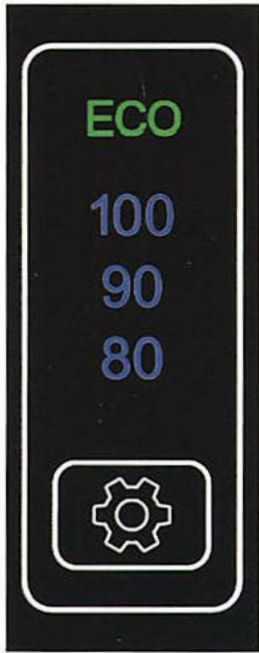
Press the HOT button on the faucet twice to dispense. The first press is to unlock, then for safety reasons press and hold for 3 seconds to allow water to flow

For best results allow 5 seconds to pass before using, this allows the pipe to completely fill with HOT Water

If needing multiple cups please continuously hold or dispense within 5 seconds. After 5 seconds of no use, the HOT Tank will refill with Cold water. This will reduce the temperature until the water reheats

**Please note the final temperature may vary dependant on the length of the tube, ambient air temperature and other factors**

# MULTITAP FAUCET - Troubleshooting



## All LEDs including buttons are blinking

Leak warning (Detected inside underbench unit)

## 100 Digital LED Light blinking

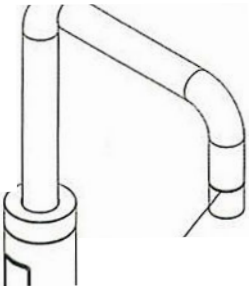
Overheating - Temperature over 105 degrees (Dry Heat)

## 100 and 80 Digital LED Light blinking

Dry heat is detected (No water in HOT Tank)

## 100, 90, 80 Digital Blinking

Over time heating warning (Abnormal long heating time)



## Faucet outlet LED and HOT indicator light is blinking

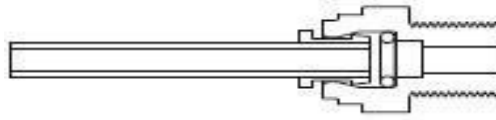
No water is filled into HOT Tank, need to check inlet water supply

Please contact Spring Water Solutions if any of these issues persist

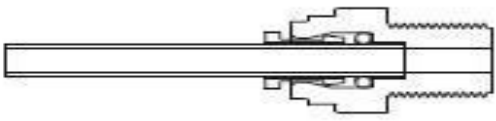
# PUSH LOCK FITTING - INSTRUCTIONS



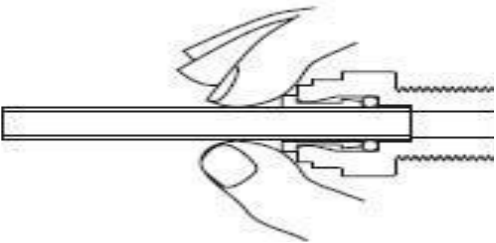
1. Cut the 1/4" Pipe square and push into the fitting.



2. The Push lock fitting will grip before it seals. Ensure the pipe is pushed past the O-Ring into the fitting completely



3. Pipe is secured in position. A small tug back will guarantee the pipe is in place



## Disconnection

Pull locking ring flush against the fitting and hold. The pipe can now be released by pulling on it.

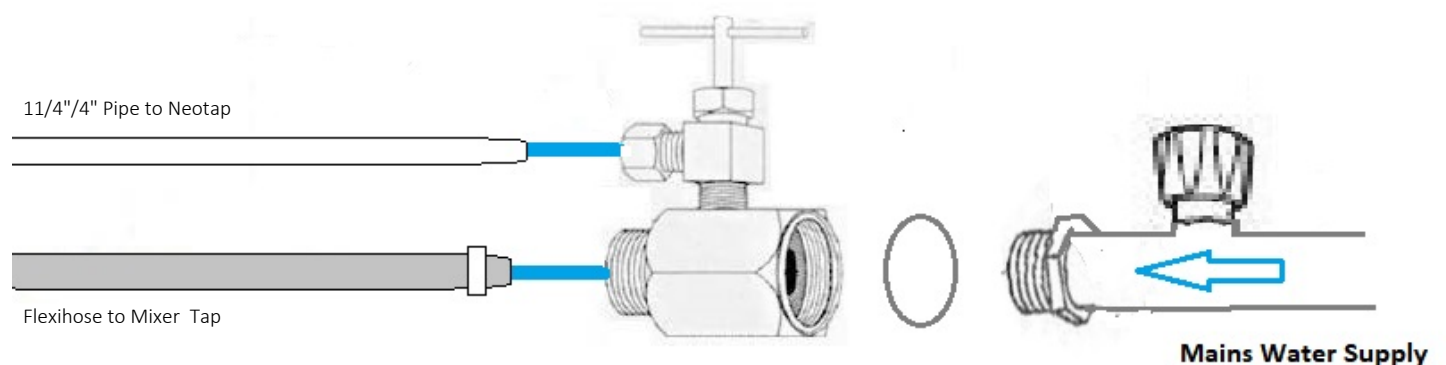
# PLUMBERS DELIGHT INSTALLATION

Disassemble the existing flexihose from the Cold Water Tap

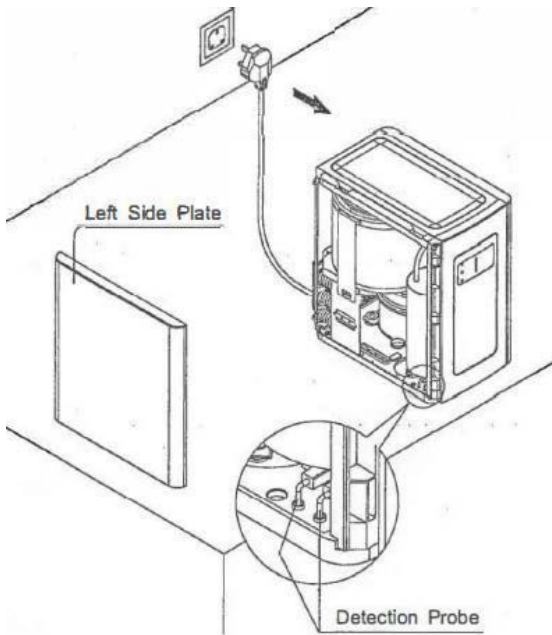
Reconnect the plumbers delight inline

Use tee off for the 1/4" inch pipe to feed the Neotap

Connect the flexihose to the male plumbers delight connection to feed the mixer tap

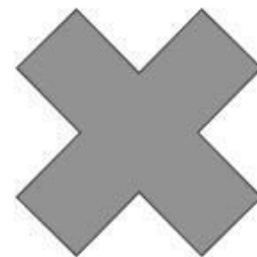
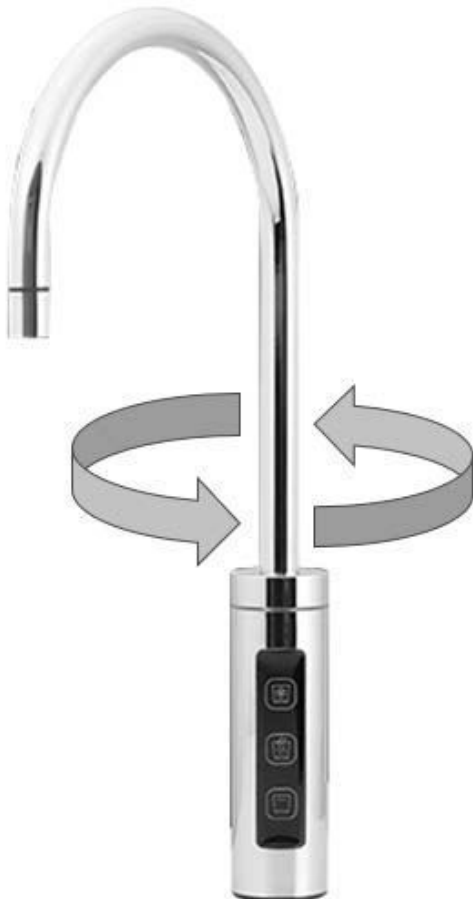


# LEAKAGE DETECTION - DIAGRAM



This device has a leakage detection probe fitted for safety purposes. When the probe detects moisture you may notice the LED on the machine flashing accompanied by a beeping noise. We recommend turning off the electricity at the power supply and calling a qualified technician to carry out this work for your safety.

# TAP SWIVEL - WARNING



## **NO SWIVELLING TAP 360°**

Internal tubes and cables within the faucet cannot handle completed rotation and will be damaged if turned more than 360 degrees.

Swivel feature is intended to find correct placement on the benchtop. Once placed, the tap should be left alone to avoid damage.

# MAINTENANCE GUIDELINES

For effective performance of the Neotap unit Spring Water Solutions recommend 6 monthly service checks and annual filter changes

## **Points to check on installation and subsequent maintenance**

- Please ensure the unit is able to be easily accessed for service and changing of consumables
- Clean unit (Underbench and Faucet) to ensure it is kept in good condition and avoids damage
- Ensure the space is free from obstruction to avoid damage to the unit
- Check faucet connections are tight and functioning correctly to avoid leak
- Check gas pressure to ensure it is within recommended pressure level
- Check joints and fittings are secure to avoid leak
- Change the KDF/GAC50 Filter annually for best performance of Neotap Unit

***Spring Water Solutions offer installation, service and filter changes New Zealand wide  
Please get in touch per the information below to book :)***

# Trouble Shooting

Problem	Cause	Solution
Water isn't cold	Thermostat is off	Contact for service
	Refridgerant gas is low	Contact for service
	Problem with Compressor or Thermostat	Contact for service
No cold water from Tap	Ice blocking in system	Please turn off the COLD power switch to allow ice block to melt. Will need to contact for service to adjust thermostat
	No water inside unit	Check mains supply
LED at end of faucet flashing	Leak detection activated	Leak detection activated as probe detected water. Contact for service
Change in water taste	Filter change	We recommend changing the filter every 1-2 years. Turn of water supply and replace filter per diagram 1
Low Flow	Filter Change	We recommend changing the filter every 1-2 years. Turn of water supply and replace filter per diagram 1
	Insufficient water supply	Refill unit
Sparkling not working	Soda Power off	Check switch is on
	Co2 output pressure is too high making the water dispenser short	Close the Co2 bottle and release the pressure from the pressure regulator. Press the soda tap to drain out the water and release the pressure inside the tank. Turn off the SODA switch when water has drained. Reopen the Co2 bottle and set the Co2 output to 3 bar. Turn on the Soda Power switch again to start producing Sparkling water
	Co2 has run out	Refill Co2 bottle
	Co2 Line needs recomissioning	Follow the Sparkling Install Instructions Pg3-4
	Not enough bar pressure	Slightly increase Co2 bar pressure (Ideally between 3-4 bar)

**CAUTION:** For your safety please contact us or a qualified technician for repair if you suspect the water dispenser is damaged

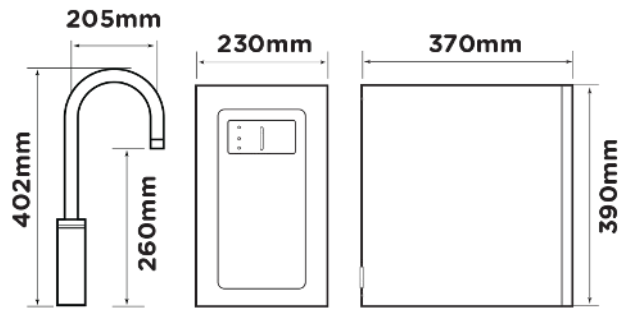
# PRODUCT DATA SHEET

## Spring NeoTap

### INSTANT TAP

#### Overview

Underbench filter with integrated unit for boiling, chilled, sparkling and ambient drinking water.



Model	Sparkling, Boiling & Chilled, Boiling, Chilled & Ambient, Sparkling, Chilled & Ambient
Filtration	Premium KDF/GAC 50, 1 Micron Filtration
Cold Temperature	4C to 10C
Chilling Capacity	20 Litres per hour
Heating Capacity	12 Litres per hour
Maximum Power consumption	Direct chill system 100W
Weight	18kg
Tap Finish	Chrome, Matte Black
Water connection	1/2 inch
Power requirements	Standard 10amp power outlet (earth leakage protected)
Max. recommended inlet pressure	500 kPa
Required hole for the tap	25mm
Ideal under sink dimension	(w x d h) 230 x 350 x 385mm