



SPRING NEOTAP

NEOTAP - Hot, Cold, Sparkling MultiTap

INSTALLATION AND OPERATION GUIDE



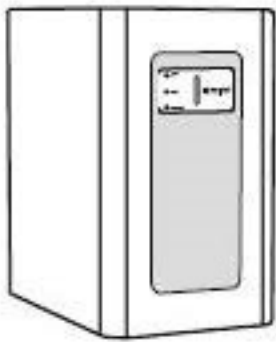
CONTENTS

Preface - Underbench Parts	1
Multitap - Extended Diagram	2
Multitap - Installation Guide	3
Multitap - Pipework Instructions/Diagram	4
Push Lock Fitting/Plumbers Delight Guide	7
Co2 Bottle Install/Refill	8
Hot water operation - Underbench	9
Mixer/Faucet Operation	10
FAQ, Leakage Detection Device and Swivel Tap - Warning	13
Data Sheet	15

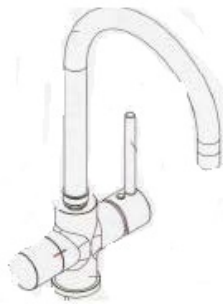
Please read these instructions completely before operating this unit

PREFACE - UNDERBENCH PARTS

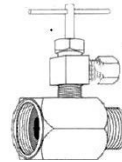
Before using this machine, we advise you to read this manual thoroughly. Please follow the instructions to ensure proper operation and the lasting of the machine



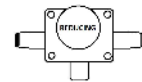
Neotap - Underbench Boiling, Chilled, Ambient



Faucet



Brass Tee Off Valve (Plumbers Delight)



Pressure Reducing Valve (PRV)



KDF30 Filter



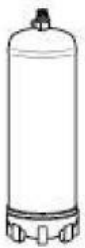
1/4" Pipe



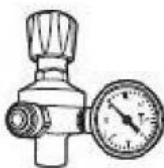
One way tee valve (Grey and White pipe connected)



Power Cord



CO2 Bottle

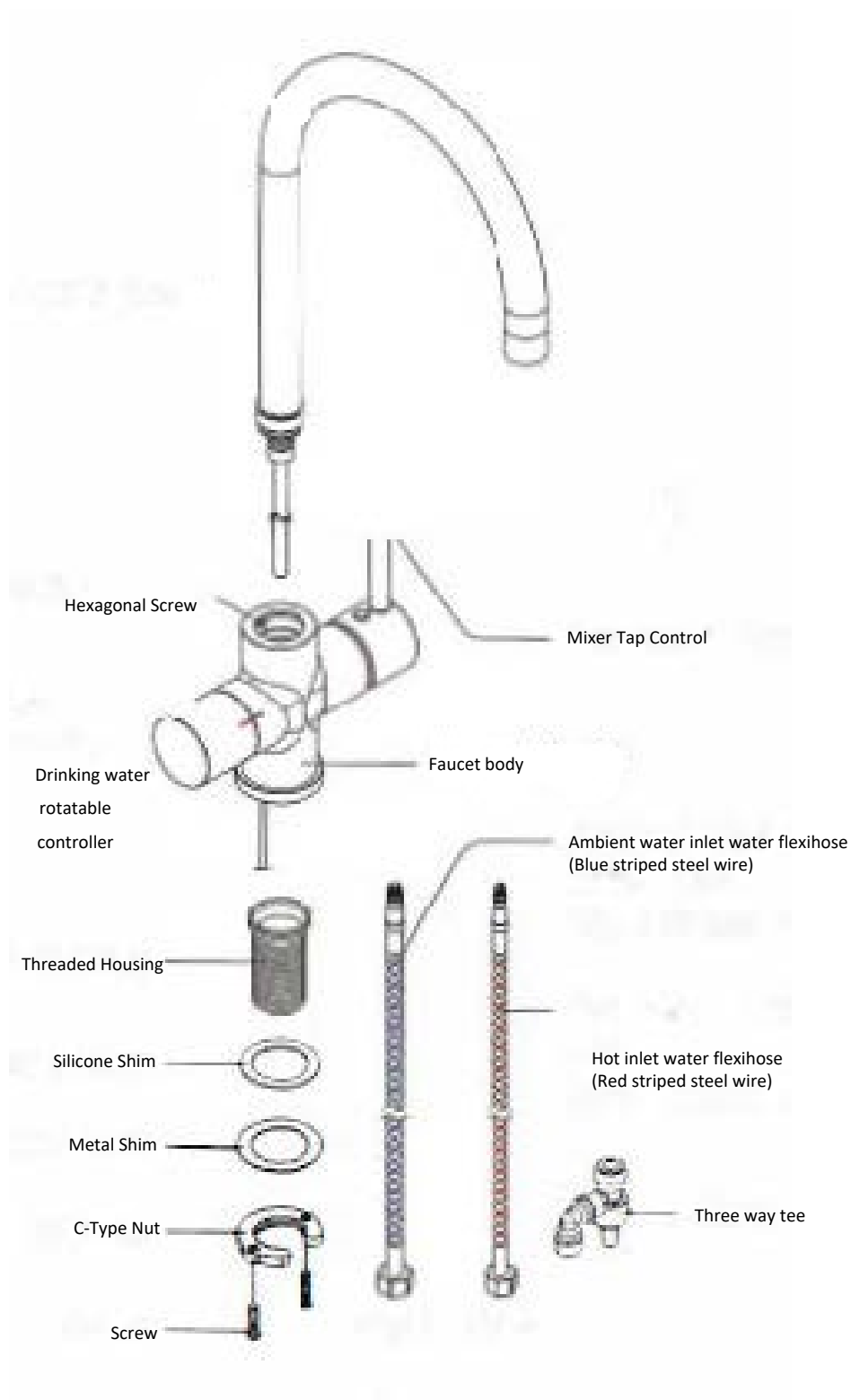


Regulator



Regulator Adapter (2.2L Gas Bottle)

MULTITAP - EXPANDED DIAGRAM

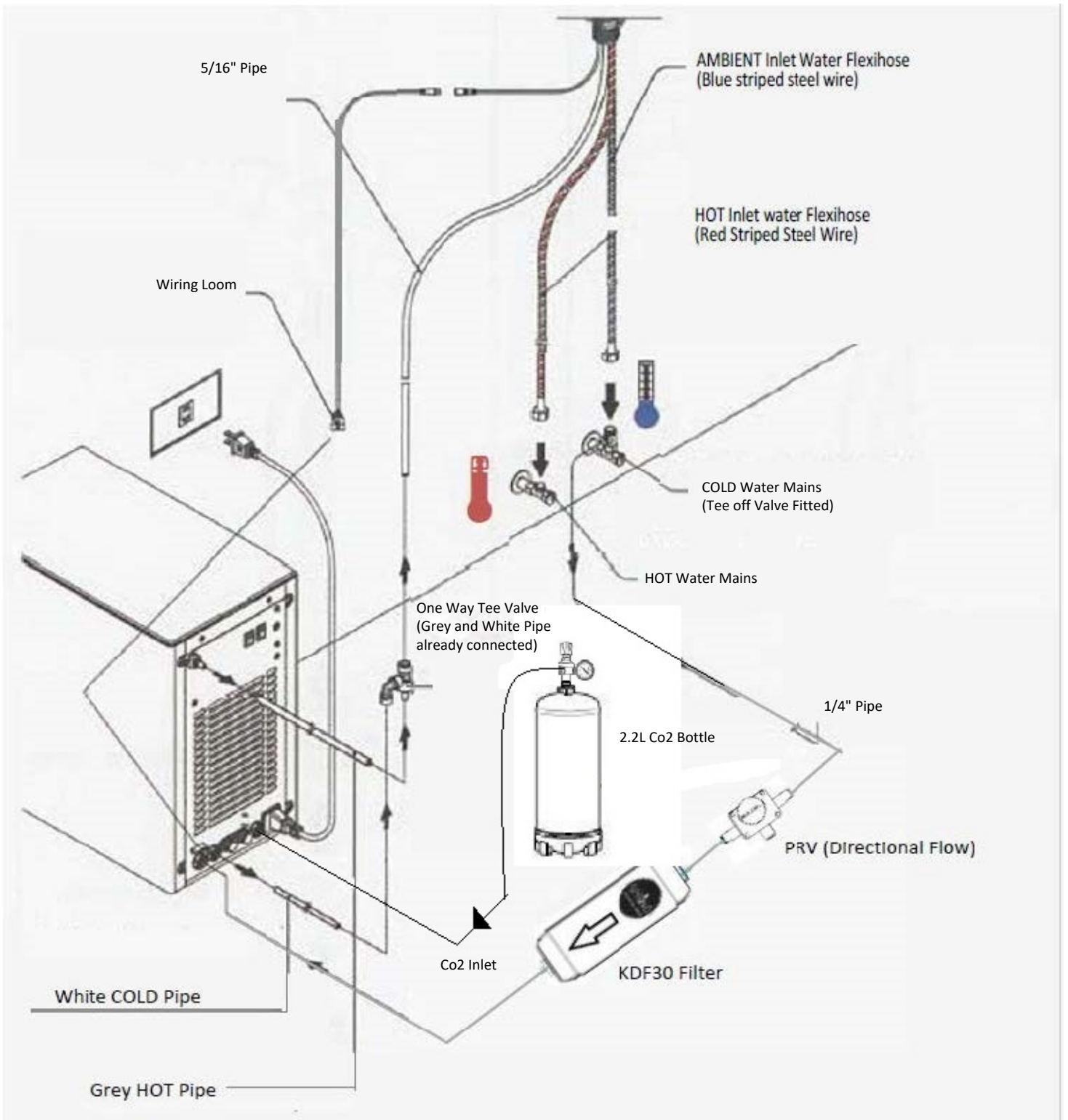


Please check the parts are all correct in the box, and read the manual throughly. To install and use the faucet by following instruction to avoid damage



© 2024 Spring
All rights reserved.

PIPING INSTALLATION



PIPING INSTALLATION

We recommend the instructions specified in this guide be followed in sequence by a qualified tradesperson for successful installation.

This Neotap has a 12 month back to base warranty from purchase, but this may be voided if unsatisfactory installation results in damage to the unit.

1. Select the appropriate position for the tap to ensure it dispenses into the sink, allowing ample clearance below the outlet and at least 50mm from the wall. Drill a 35mm hole
2. Isolate the water supply. Disassemble the original COLD water Tap/Flexihose connections. Reconnect the plumbers delight inline
3. Using the 1/4" Pipe provided connect the 1/4" inlet ball valve to the Pressure Reducing Valve. The PRV is then connected to the KDF30 Filter and finally into the water inlet. Please ensure the filter has been flushed before connecting. The PRV and Filter have a directional water flow, connect as marked on the part
4. Connect the 5/16" Pipe from the Faucet to the top of the one way tee valve (Grey HOT tube, and White COLD tube already attached)
5. Feed the faucet (Including pre-attached pipes) through the pre-drilled hole. Position so the tap sits flush with the bench-top
6. Following the MultiTap Install guide Pg.3 Screw and tighten the tap nut to ensure the tap is correctly positioned on top. Be careful not to over-tighten as this may split the nut
NOTE: Once placed do not swivel the tap - Internal tubes and cables within the faucet cannot handle rotation more than 180deg and risk being damaged
7. Find the best place for the NEOTAP unit under the bench, allowing 150mm clearance around the top and rear of the unit for ventilation. Allow room for the filter and piping as specified above
8. From the One Way Tee Valve - Connect the GREY pipe to the HOT water outlet at the top of the unit (Pressure Fit) and the White 1/4" Pipe to the COLD water outlet at the bottom (Push Lock)
NOTE: Ideally the GREY pipe should flow in a straight line upward. This pipe can be shortened and should be as short as possible
9. Connect the RED Flexihose to the HOT Mains Water Outlet, and BLUE Flexihose to the COLD Mains Water Outlet for the mixer side of the tap
10. Carefully attach the wiring loom to the NEOTAP unit
11. Connect the machine to the power supply using the cord at the rear of the unit. Leave power and water supply OFF
12. Ensure all fittings, electrical connections and piping are secure to and from the unit
13. Turn on the water and power supply at the wall

PIPING INSTALLATION

Co2 Bottle Installation : Please skip to step 16 if you have a Non-Sparkling model

12. Place the Co2 bottle upright in the undersink cavity as close to the NEOTAP unit as possible

DISPOSABLE GAS BOTTLE AND REGULATOR - INSTRUCTIONS

1. To connect disposable gas bottle, first thread the adapter onto the gas bottle making sure the dial at the top is closed (Completely anti clockwise)
2. Attach the regulator to the adapter making sure the the regulator is also in the OFF position (Completely anti-clockwise)
3. Open the gas bottle by turning the dial at the top of the adapter clockwise

[Continue to Step 15](#)

REUSABLE GAS BOTTLE AND REGULATOR - INSTRUCTIONS

12. Turn the knob fully anti-clockwise to ensure the regulator is in the OFF position
13. Connect the Co2 bottle to the regulator by screwing the regulator onto the bottle firmly (Clockwise). Be careful not to overtighten to avoid damaging the nut
14. Open gas bottle by turning the main bottle valve anticlockwise
15. Attach the regulator to the Co2 connector at the rear of the unit using the 1/4" pipe provided. **DO NOT OPEN REGULATOR** - This is addressed in Co2 Operation
16. Ensure the whole unit and its components have at least 150mm ventilation surrounding
17. Check there are no kinks or "sag" in the tubing from the unit to the faucet. This will ensure that any reduction in water flow is reduced
18. Ensure all fittings, electrical connections and piping are secure to and from the unit
19. Turn on the Water and Power supply

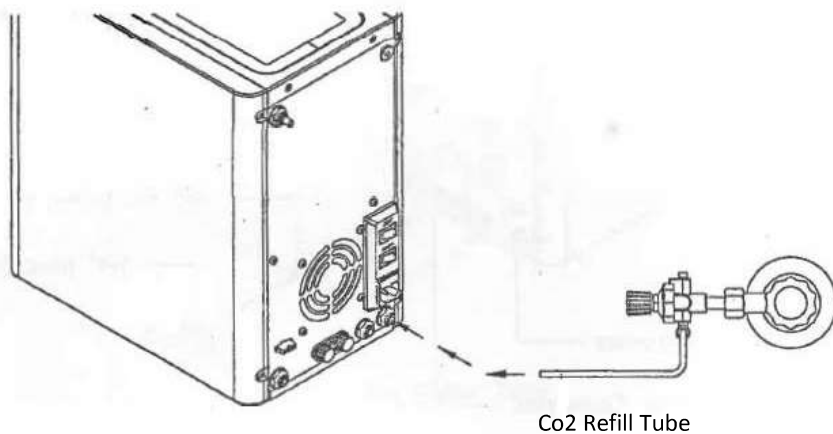
Co2 BOTTLE - INSTALLATION

1. Ensure the Co2 bottle is connected firmly to the regulator and the Co2 tube is fitted correctly.
2. Slowly turn the dial on the regulator clockwise until the gauge reads 3BAR

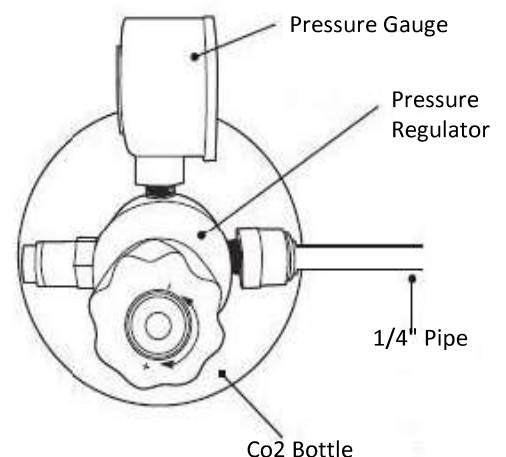
(Note: If you want to reduce the pressure you must first turn the dial anticlockwise and then vent to relieve existing pressure. The gauge will then settle and read accurately)

3. Turn off the water at the valve and purge any air from the sparkling line by pressing the sparkling button on the tap for 30 seconds.
4. Turn the water back on at the valve and the SODA switch at the rear of the unit.
5. Press the sparkling button on the tap for 15 seconds to allow any excess Co2 to be dispensed
6. Operate the sparkling button on the tap 2-3 times for 15seconds each time (1minute cooldown) until you notice the water is sparkling. Pressure will fluctuate between 3-4 bar

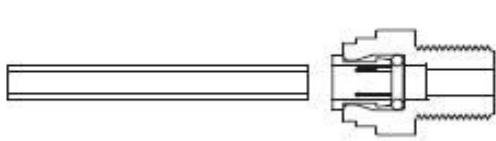
All Co2 bottles should be upright during use, storage and transit. If the bottle has been left horizontal, place upright and stand for 60+ minutes before use to allow contents to settle



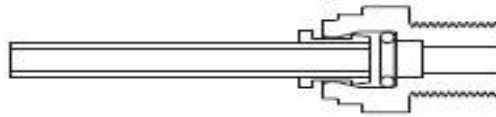
TOP VIEW - Co2 Bottle



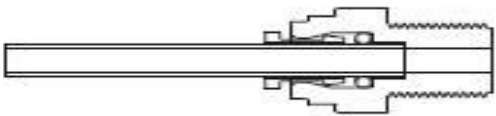
PUSH LOCK FITTING - INSTRUCTIONS



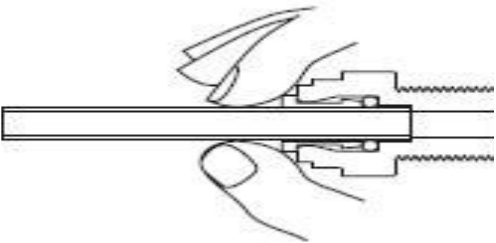
1. Cut the 1/4" Pipe square and push into the fitting.



2. The Push lock fitting will grip before it seals. Ensure the pipe is pushed past the O-Ring into the fitting completely



3. Pipe is secured in position. A small tug back will guarantee the pipe is in place



Disconnection

Pull locking ring flush against the fitting and hold. The pipe can now be released by pulling on it.

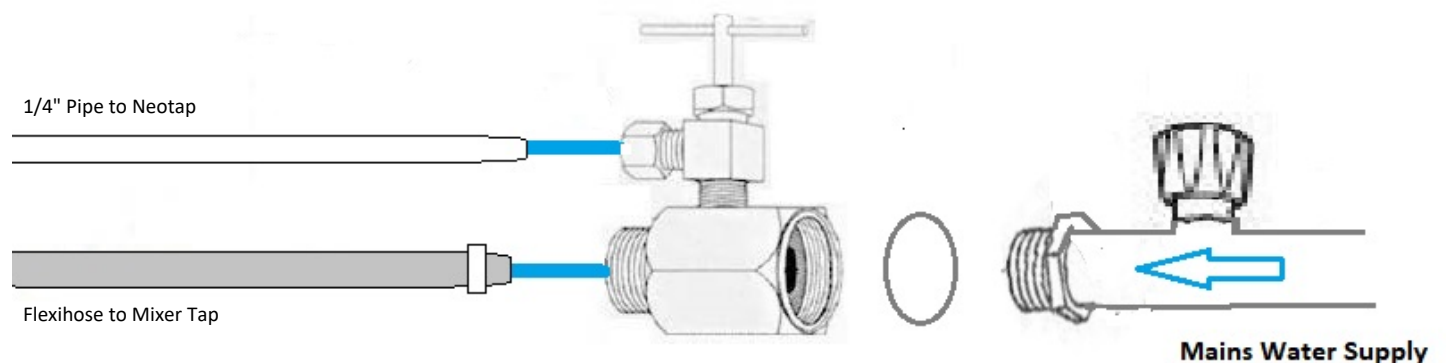
PLUMBERS DELIGHT - INSTALLATION

Disassemble the existing flexihose from the Cold Water Tap

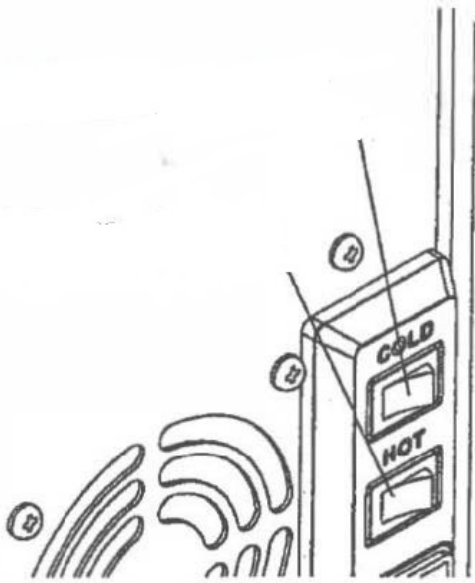
Reconnect the plumbers delight inline

Use tee off for the 1/4 inch pipe to feed the Neotap

Connect the flexihose to the male plumbers delight connection to feed the mixer tap



HOT WATER OPERATION - UNDERBENCH

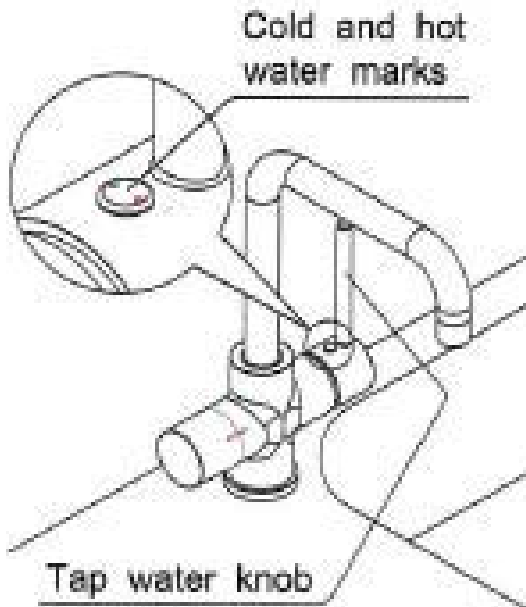


1. Press the HOT button on the Faucet. Make sure the water is flowing before turning on the HOT power switch at the rear of the unit (This will ensure the HOT tank in the unit is full before turning on the element to prevent it burning out)
2. As soon as the HOT switch is on the HEATING LED light will illuminate. The LED will turn off once the heating process is complete
3. Hot water temperature can be adjusted using the settings button on the face of the unit. Press and hold the settings button for 3 seconds LED will flash. Press again and the Red light will cycle through LOW, MEDIUM and HIGH

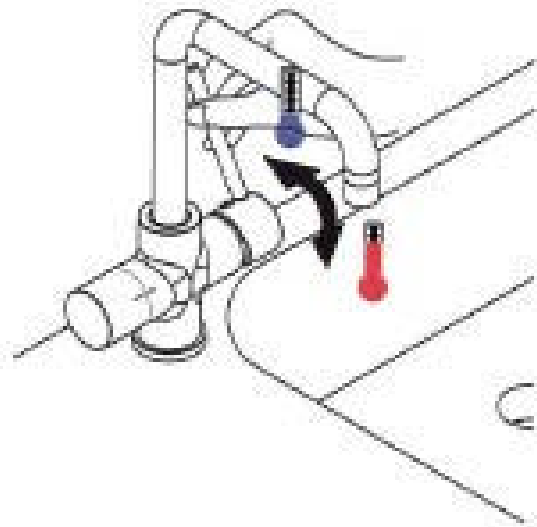


MULTITAP - MIXER INSTRUCTIONS

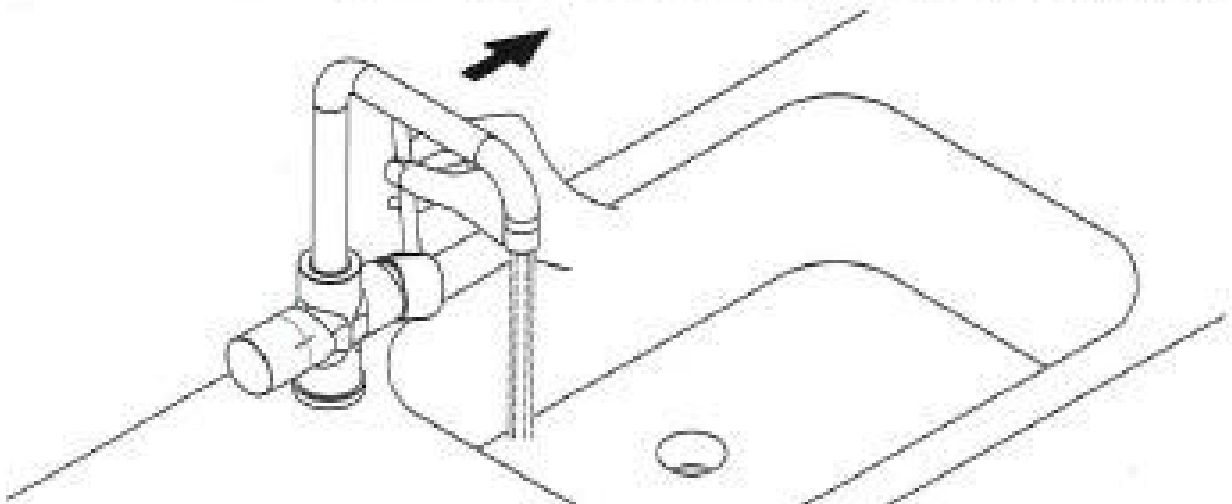
1. There are two marks on the faucet knob for cold and hot water. Blue color is ambient water and red color is hot water.



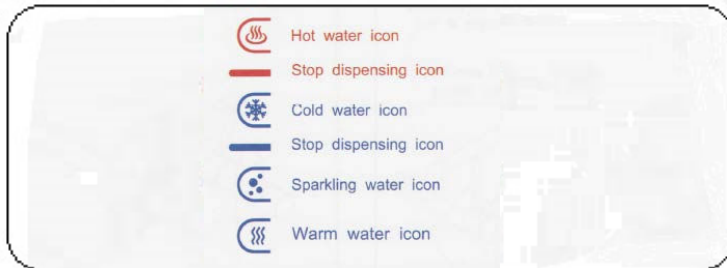
2. Hold faucet knob and rotate, follow the arrow direction to choose hot or ambient water.



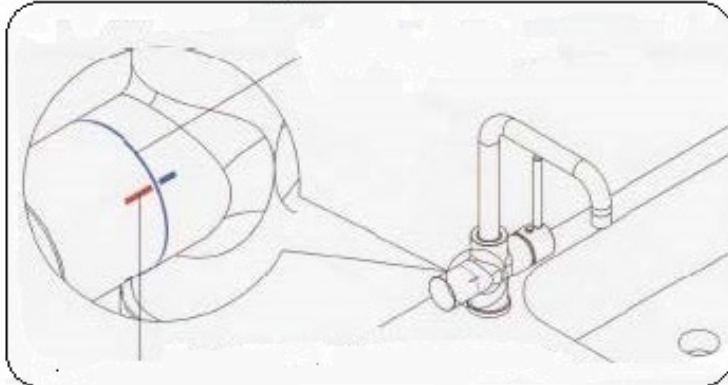
3. Pull the knob to right as arrow direction, the water will be dispensed.



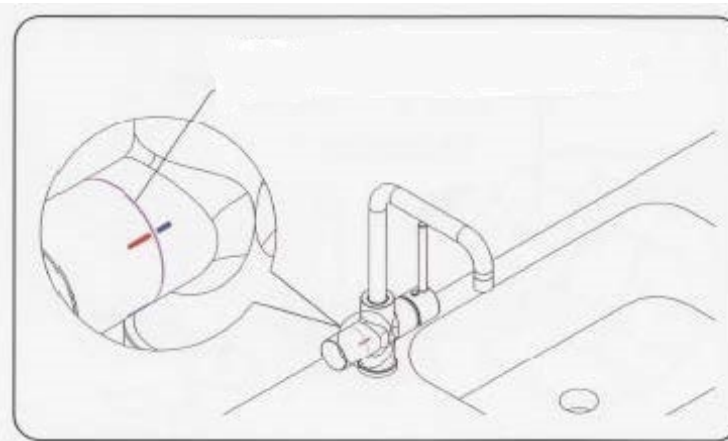
MULTITAP - FAUCET INSTRUCTIONS



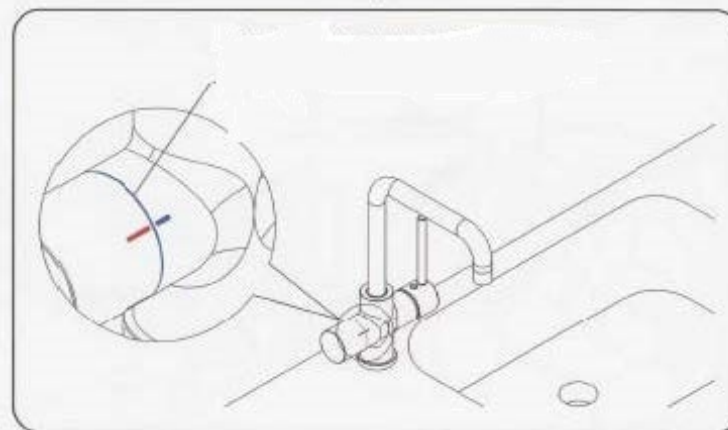
There are 3 functions on the rotation controller and icon for turning off water supply



Align the stop dispensing icon on the rotation controller with the stop dispensing icon on the faucet body to stop dispensing water - The blue LED will be on

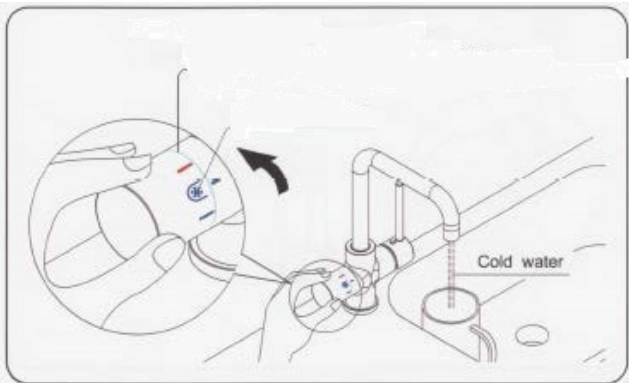


The LED light will be purple, when the water dispenser is heating HOT water

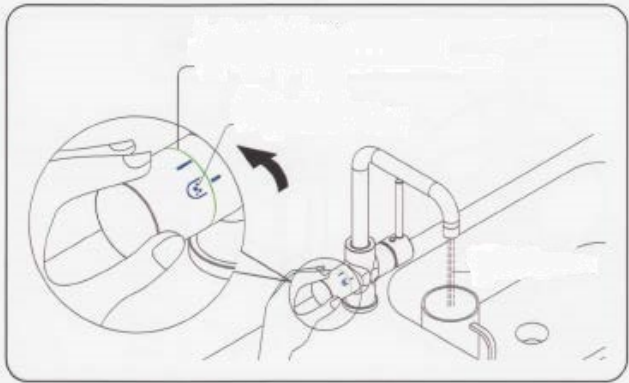


The LED light returns to blue colour when the heating process is done

MULTITAP - FAUCET INSTRUCTIONS

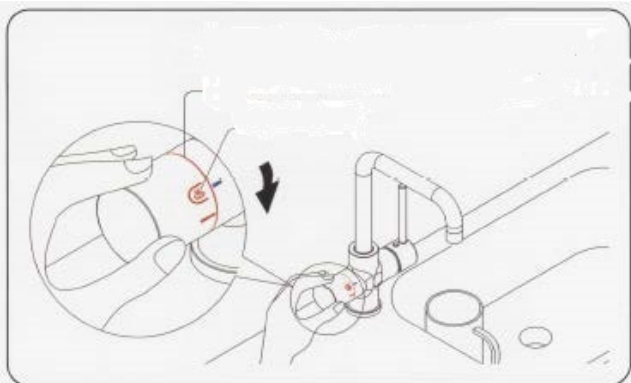


Dispensing COLD water, the Light Blue LED will be on



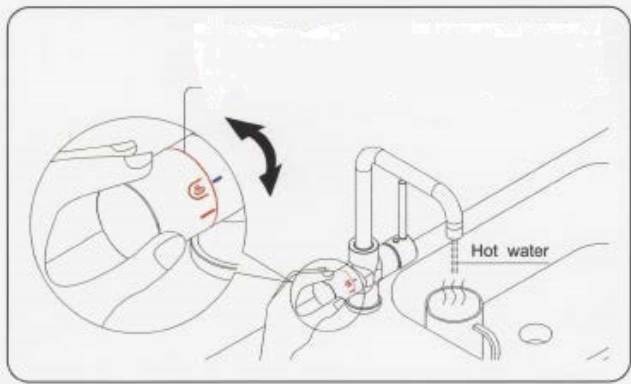
Dispensing SPARKLING water, the Green LED Will be on

MULTITAP - HOT WATER FAUCET INSTRUCTIONS



To dispense HOT Water first rotate the controller to HOT water icon to unlock - HOT Water will not be dispensed. Rotate back to the STOP Position Then rotate again within 3 seconds while the RED LED is blinking. The Red LED will then stop blinking and start to dispense HOT Water

For best results allow 5 seconds to pass before using, this allows the pipe to completely fill with HOT Water



If needing multiple cups please continuously hold or dispense within 5 seconds. After 5 seconds of no use, the HOT Tank will refill with Cold water. This will reduce the temperature until the water reheats

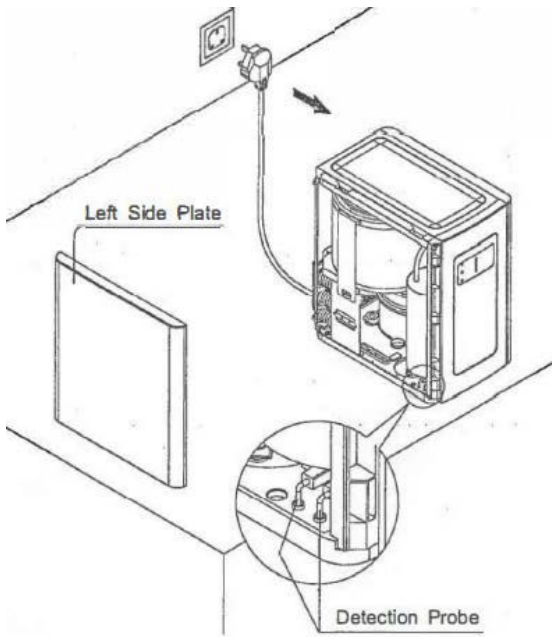
Please note the final temperature may vary dependant on the length of the tube, ambient air temperature and other factors

Trouble Shooting

Problem	Cause	Solution
Water isn't cold	Thermostat is off	Contact for service
	Refridgerant gas is low	Contact for service
	Problem with Compressor or Thermostat	Contact for service
No cold water from Tap	Ice blocking in system	Please turn off the COLD power switch to allow ice block to melt. Will need to contact for service to adjust thermostat
	No water inside unit	Check mains supply
LED at end of faucet flashing	Leak detection activated	Leak detection activated as probe detected water. Contact for service
Change in water taste	Filter change	We recommend changing the filter every 1-2 years. Turn of water supply and replace filter per diagram 1
Low Flow	Filter Change	We recommend changing the filter every 1-2 years. Turn of water supply and replace filter per diagram 1
	Insufficient water supply	Refill unit
Sparkling not working	Soda Power off	Check switch is on
	Co2 output pressure is too high making the water dispenser short	Close the Co2 bottle and release the pressure from the pressure regulator. Press the soda tap to drain out the water and release the pressure inside the tank. Turn off the SODA switch when water has drained. Reopen the Co2 bottle and set the Co2 output to 3 bar. Turn on the Soda Power switch again to start producing Sparkling water
	Co2 has run out	Refill Co2 bottle
	Co2 Line needs recomissioning	Follow the Sparkling Install Instructions Pg3-4
	Not enough bar pressure	Slightly increase Co2 bar pressure (Ideally between 3-4 bar)

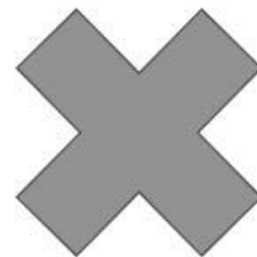
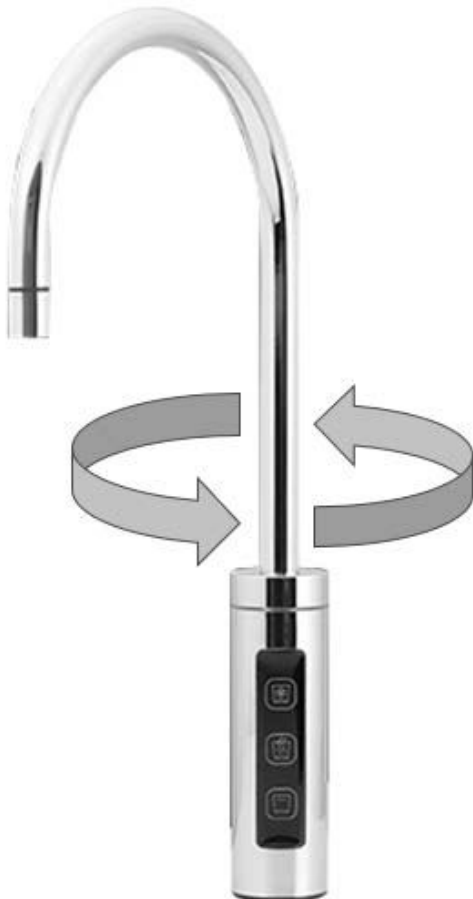
CAUTION: For your safety please contact us or a qualified technician for repair if you suspect the water dispenser is damaged

LEAKAGE DETECTION - DIAGRAM



This device has a leakage detection probe fitted for safety purposes. When the probe detects moisture you may notice the LED on the machine flashing accompanied by a beeping noise. We recommend turning off the electricity at the power supply and calling a qualified technician to carry out this work for your safety.

TAP SWIVEL - WARNING



NO SWIVELLING TAP 360°

Internal tubes and cables within the faucet cannot handle completed rotation and will be damaged if turned more than 180 degrees.

Swivel feature is intended to find correct placement on the benchtop. Once placed, the tap should be left alone to avoid damage.

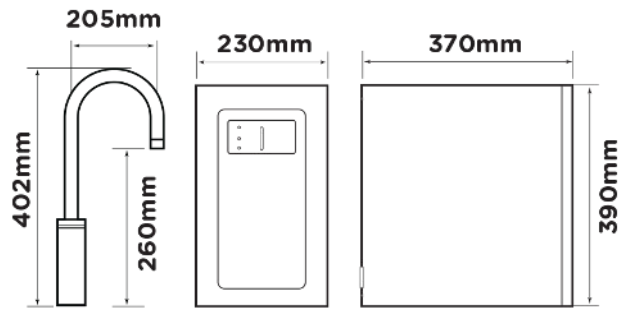
PRODUCT DATA SHEET

Spring Multitap

INSTANT TAP

Overview

Underbench filter with integrated unit for boiling, chilled, sparkling and ambient drinking water



Model	Sparkling, Hot, Cold + Mixer, Hot, Cold, Ambient + Mixer
Filtration	Premium KDF/GAC 30, 1 Micron Filtration
Cold Temperature	4C to 10C
Chilling Capacity	20 Litres per hour
Heating Capacity	12 Litres per hour
Maximum Power consumption	Direct chill system 100W
Weight	18kg
Tap Finish	Chrome, Matte Black, Brushed Nickel
Water connection	1/2 inch
Power requirements	Standard 10amp power outlet (earth leakage protected)
Max. recommended inlet pressure	500 kPa
Required hole for the tap	25mm
Ideal under sink dimension	(w x d h) 750 x 660 x 520mm