



SPRING NEOTAP

Cold, Sparkling and Ambient Underbench Unit

INSTALLATION AND OPERATION GUIDE

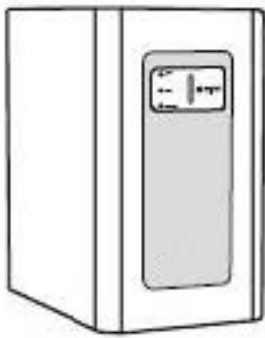


CONTENTS	
Preface/Parts	1
Piping Installation - Diagram	2
Piping Installation	3
Push Lock Fitting and Plumbers Delight - Installation	5
Co2 Bottle - Installation	6
Tap and Water - Operation	6
Troubleshooting	7
Leakage Detection and Tap Swivel - Warning	8
Specification Sheet	9

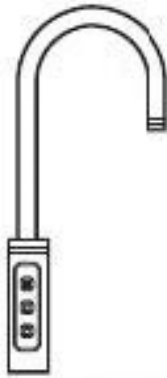
Please read these instructions completely before operating this unit

PREFACE/PARTS

Before using this machine, we advise you to read this manual thoroughly. Please follow the instructions to ensure proper operation and the lasting of the machine



Neotap - Sparkling, Chilled, Ambient



Faucet/Tap



CO₂ Bottle



Regulator



Brass Tee Off Valve (Plumbers Delight)



Pressure Reducing Valve (PRV)



Straight Connector



Wiring Loom



Tubing



Power Cord



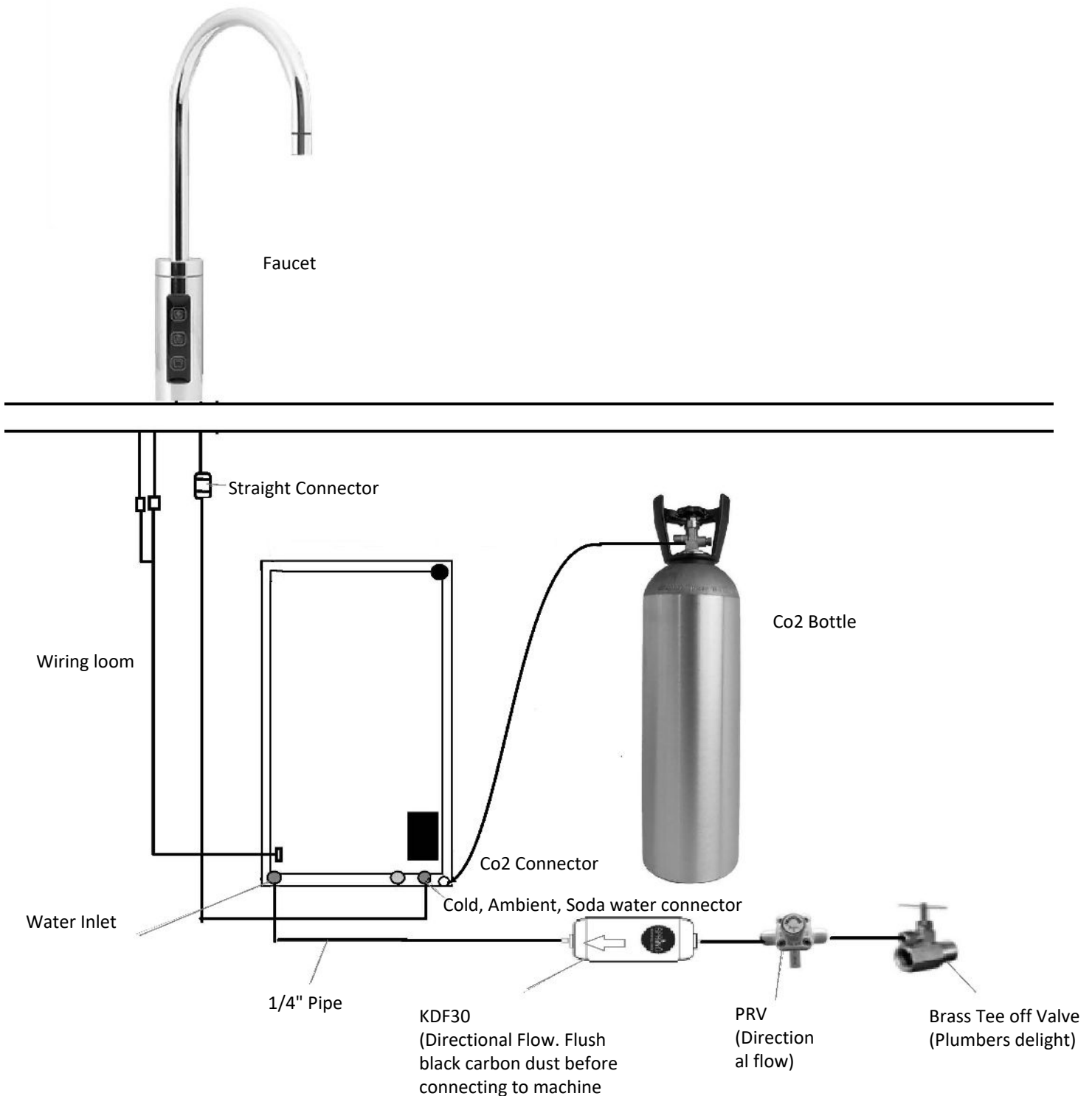
KDF30 Filter



Regulator Adapter (2.2L Gas Bottle)

PIPING INSTALLATION

2. Using the 1/4" Pipe provided connect the 1/4" Inlet ball valve to the Pressure Reducing Valve. The PRV is then connected to the KDF30 Filter and finally into the Water inlet. Please ensure the filter has been flushed before connecting. The PRV and Filter have a directional water flow, please connect as marked. See drawing B



PIPING INSTALLATION

We recommend the instructions specified in this guide be followed in sequence by a qualified tradesperson for successful installation.

This Neotap has a 12 month warranty from purchase, but this may be voided if unsatisfactory installation results in damage to the unit.

1. Select the appropriate position for the tap to ensure it dispenses into the sink, allowing ample clearance below the outlet. Drill a 25mm hole
2. Isolate the water supply. Disassemble the original COLD water Tap/Flexihose connections. Reconnect the plumbers delight inline
3. Using the 1/4" Pipe provided connect the 1/4" inlet ball valve to the Pressure Reducing Valve. The PRV is then connected to the KDF30 Filter and finally into the water inlet. Please ensure the filter has been flushed before connecting. The PRV and Filter have a directional water flow, connect as marked on the part
4. Connect the straight connector to the white tube from the faucet
5. Remove the black plastic nut from the faucet thread and connect the wiring loom. Be careful not to bend/break the pins
6. Feed the straight adapter, faucet connections and wiring loom through the hole in the tap. Position so the tap sits flush with the bench-top
7. Screw and tighten the tap nut to ensure the tap is correctly positioned on top. Be careful not to over-tighten as this may split the plastic nut
NOTE: Once placed do not swivel the tap - Internal tubes and cables within the faucet cannot handle rotation more than 180deg and risk being damaged
8. Find the best place for the NEOTAP unit under the bench, allowing 150mm clearance around the top and rear of the unit for ventilation. Allow room for the filter and piping as specified above, and Co2 bottle (OPTIONAL)
NOTE: If the cupboard does not allow room for filter/Co2 bottle allow enough 1/4" pipe for it to be situated elsewhere
9. Using a length of 1/4" pipe connect the straight adapter to the water outlet as per the piping diagram (There may be 1 or 2 outlets dependent on model)
10. Carefully attach the wiring loom to the NEOTAP unit
11. Connect the machine to the power supply using the cord at the rear of the unit. Leave power and water supply OFF

PIPING INSTALLATION

Co2 Bottle Installation : Please skip to step 16 if you have a Non-Sparkling model

12. Place the Co2 bottle upright in the undersink cavity as close to the NEOTAP unit as possible

DISPOSABLE GAS BOTTLE AND REGULATOR - INSTRUCTIONS

1. To connect disposable gas bottle, first thread the adapter onto the gas bottle making sure the dial at the top is closed (Completely anti clockwise)
2. Attach the regulator to the adapter making sure the the regulator is also in the OFF position (Completely anti-clockwise)
3. Open the gas bottle by turning the dial at the top of the adapter clockwise

[Continue to Step 15](#)

REUSABLE GAS BOTTLE AND REGULATOR - INSTRUCTIONS

12. Turn the knob fully anti-clockwise to ensure the regulator is in the OFF position
13. Connect the Co2 bottle to the regulator by screwing the regulator onto the bottle firmly (Clockwise). Be careful not to overtighten to avoid damaging the nut
14. Open gas bottle by turning the main bottle valve anticlockwise
15. Attach the regulator to the Co2 connector at the rear of the unit using the 1/4" pipe provided. **DO NOT OPEN REGULATOR** - This is addressed in Co2 Operation
16. Ensure the whole unit and its components have at least 150mm ventilation surrounding
17. Check there are no kinks or "sag" in the tubing from the unit to the faucet. This will ensure that any reduction in water flow is reduced
18. Ensure all fittings, electrical connections and piping are secure to and from the unit
19. Turn on the Water and Power supply

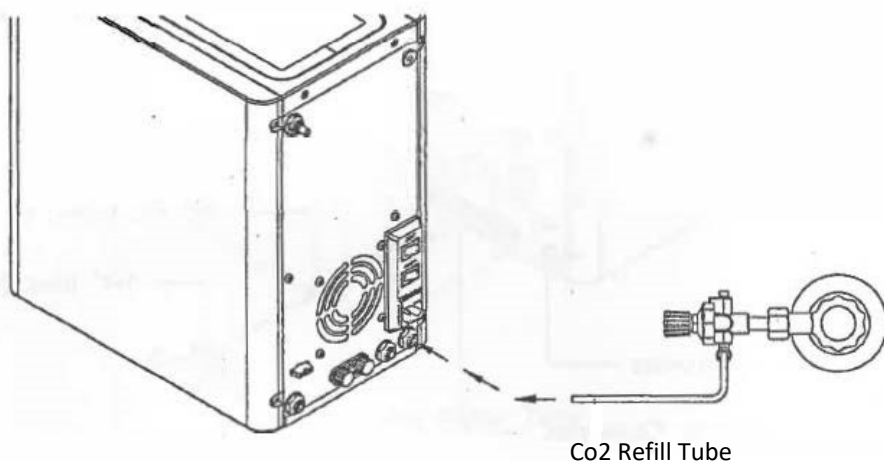
Co2 BOTTLE - INSTALLATION

1. Ensure the Co2 bottle is connected firmly to the regulator and the Co2 tube is fitted correctly.
2. Slowly turn the dial on the regulator clockwise until the gauge reads 3BAR

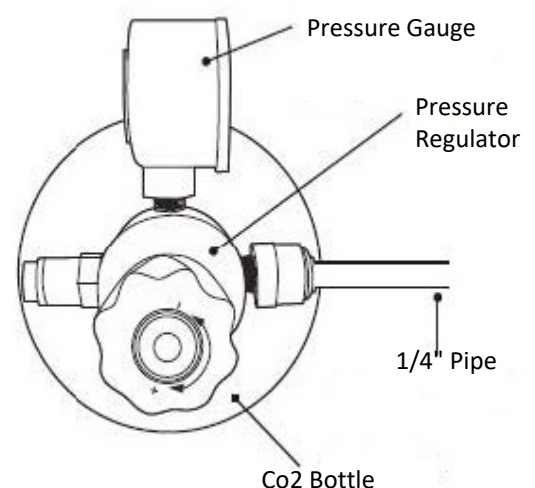
(Note: If you want to reduce the pressure you must first turn the dial anticlockwise and then vent to relieve existing pressure. The gauge will then settle and read accurately)

3. Turn off the water at the valve and purge any air from the sparkling line by pressing the sparkling button on the tap for 30 seconds.
4. Turn the water back on at the valve and the SODA switch at the rear of the unit.
5. Press the sparkling button on the tap for 15 seconds to allow any excess Co2 to be dispensed
6. Operate the sparkling button on the tap 2-3 times for 15seconds each time (1minute cooldown) until you notice the water is sparkling. Pressure will fluctuate between 3-4 bar

All Co2 bottles should be upright during use, storage and transit. If the bottle has been left horizontal, place upright and stand for 60+ minutes before use to allow contents to settle



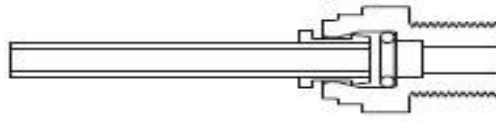
TOP VIEW - Co2 Bottle



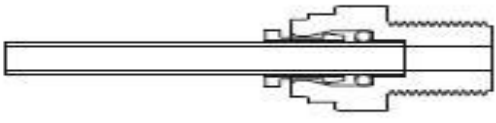
PUSH LOCK FITTING - INSTRUCTIONS



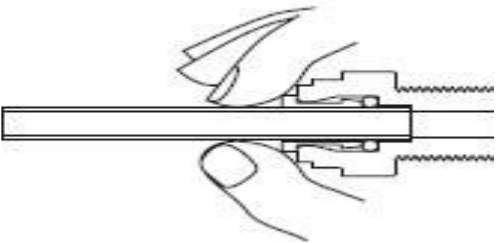
1. Cut the 1/4" Pipe square and push into the fitting.



2. The Push lock fitting will grip before it seals. Ensure the pipe is pushed past the O-Ring into the fitting completely



3. Pipe is secured in position. A small tug back will guarantee the pipe is in place

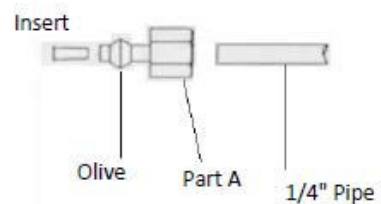
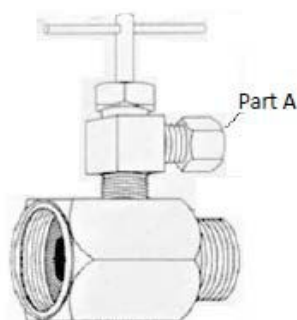
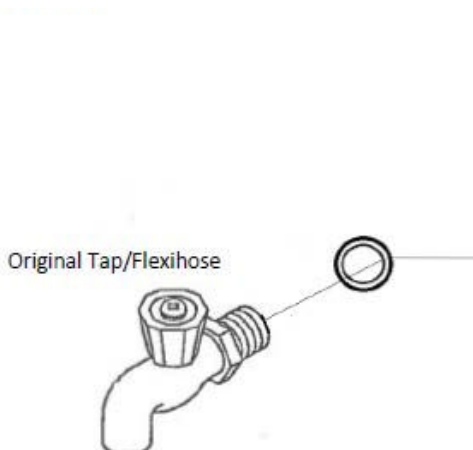


Disconnection

Pull locking ring flush against the fitting and hold. The pipe can now be released by pulling on it.

PLUMBERS DELIGHT - INSTALLATION

Disassemble the original Cold Water Tap and/or Flexihose connection. Reconnect the plumbers delight inline and use tee-off for the 1/4 inch connection to feed machine



TAP BUTTON - OPERATION

Once piping is complete turn the water supply on. The machine will begin to fill with water. Turn on the Power supply - Tap will illuminate. Try pressing the COLD and AMBIENT water button on the tap and see if water flows. It is important that the tanks are filled with water before proceeding with the instructions below



The tap is in SLEEP MODE when the blue light is on. Press the desired button once and the light will turn from blue to green to indicate the tap is ready

WATER OPERATION

SPARKLING WATER

1. After completing the Co2 bottle installation turn on the SODA switch at the back of the unit
2. SODA Led will illuminate on the unit
3. For Sparkling water press the SODA button on the faucet

COLD WATER

1. Turn on the COLD Power switch on the back of the unit
2. The chilling indicator on the control board will turn off once the correct temperature is reached (Temperature is set between 4-10 degrees celcius)

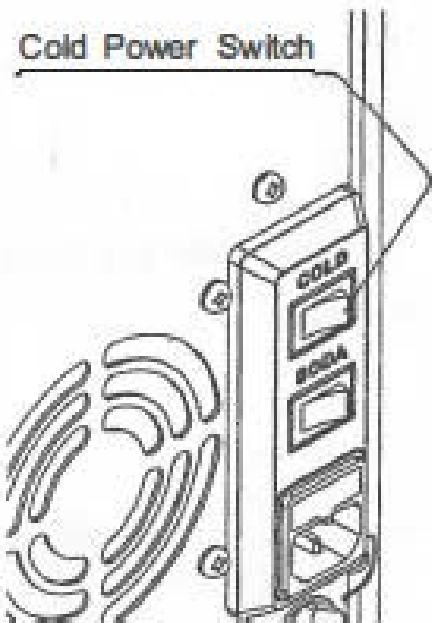
NOTE: It takes approximately 20-30minutes to chill to the desired temperature depening on the incoming water temperature and ambient surrounds

3. Press the COLD button on the faucet for chilled water

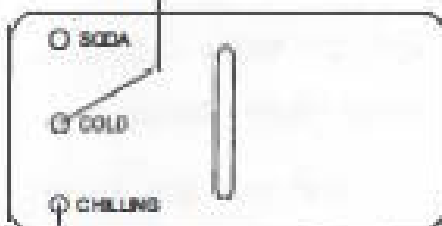
AMBIENT WATER

1. For Ambient Water simply press the AMBIENT button on the faucet

Cold Power Switch



Cold Power Indicator

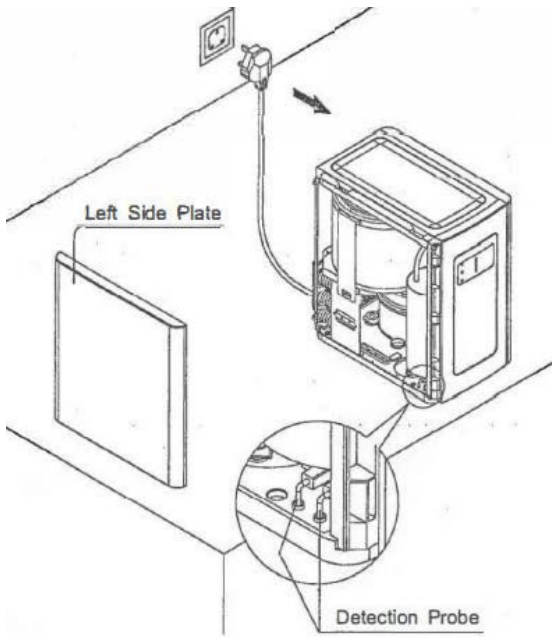


Chilling Indicator

Trouble Shooting

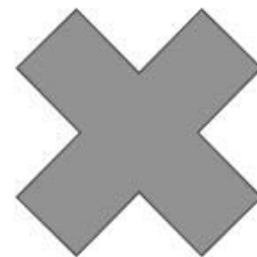
Problem	Cause	Solution
Water not Cold	Cold Temperature knob is off	Turn the cold temperature knob clockwise to 5
	Refrigerant is short	Call for service
No cold water from tap	Problem with compressor or thermostat	Call for service
	Ice blockage	Please turn off the COLD power switch for 24hr to allow ice block to melt
LED in faucet flashing	No water inside the cold tap	Check mains supply
	Leakage detection device activated	The leakage device has been activated as the probe has detected water as per diagram below. Call for service
Change in taste of water	Filter needs to be changed	We recommend changing the filter every 1-2 years. Turn off water supply and replace filter as per installation diagram 1
Sparkling not working or no water from tap (OPTIONAL)	Insufficient water supply	Refill water
	Soda power is off	Turn on switch
Not enough "Sparkle" (OPTIONAL)	Co2 output pressure is too high making the water dispenser short out	Close the Co2 bottle and release the pressure from the pressure regulator. Press the soda water tap to drain out the water and release the pressure inside the tank. Turn off the SODA water switch when soda water is drained. Reopen the Co2 bottle and set the Co2 output to 3 <u>bar</u> . Turn on the SODA power switch again to start producing soda water
	Co2 has run out	Refill Co2 bottle

LEAKAGE DETECTION - DIAGRAM



This device has a leakage detection probe fitted for safety purposes. When the probe detects moisture you may notice the LED on the machine flashing accompanied by a beeping noise. We recommend turning off the electricity at the power supply and calling a qualified technician to carry out this work for your safety.

TAP SWIVEL - WARNING



NO SWIVELLING TAP 360°

Internal tubes and cables within the faucet cannot handle completed rotation and will be damaged if turned more than 180 degrees.

Swivel feature is intended to find correct placement on the benchtop. Once placed, the tap should be left alone to avoid damage.

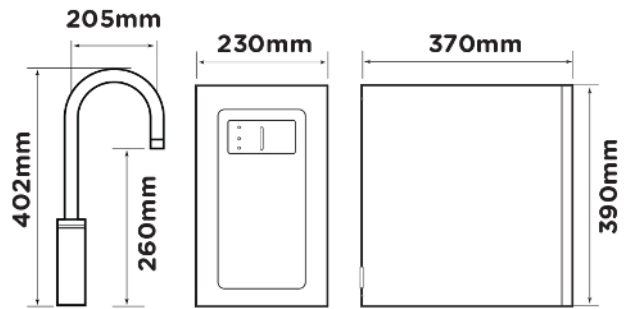
PRODUCT DATA SHEET

Spring NeoTap

INSTANT TAP

Overview

Underbench filter with integrated unit for boiling, chilled, sparkling and ambient drinking water.



Model	Sparkling, Boiling & Chilled, Boiling, Chilled & Ambient, Sparkling, Chilled & Ambient
Filtration	Premium KDF/GAC 30, 1 Micron Filtration
Cold Temperature	4C to 10C
Chilling Capacity	20 Litres per hour
Heating Capacity	12 Litres per hour
Maximum Power consumption	Direct chill system 100W
Weight	18kg
Finish	Chrome
Water connection	1/2 inch
Power requirements	Standard 10amp power outlet (earth leakage protected)
Max. recommended inlet pressure	500 kPa
Required hole for the tap	25mm
Ideal under sink dimension	(w x d h) 750 x 660 x 520mm