



Sparkling Plumbed In

Sparkling, Boil, Chill Benchtop Unit (Freestanding Cabinet Optional)

INSTALLATION AND OPERATION GUIDE



CONTENTS

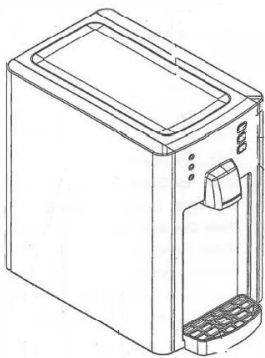
Preface/Parts	1
Piping Installation - Diagram	2
Piping Installation	3
Push Lock Fitting and Plumbers Delight - Installation	4
Co2 Bottle Installation	5
HOT, SPARKLING, COLD - Water Operation	6
Trouble Shooting	7
Leakage Detection Diagram and Swivel Tap - Warning	8
Specification Sheet	9

Please read these instructions completely before operating this unit

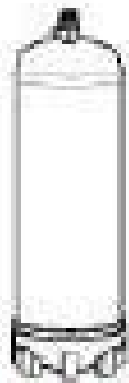
PREFACE/PARTS

Before using this machine, we advise you to read this manual thoroughly.

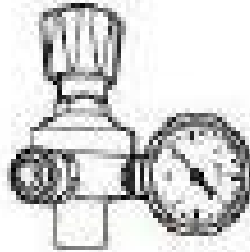
Please follow the instructions to ensure proper operation and the lasting of the machine



Neotap - Freestanding



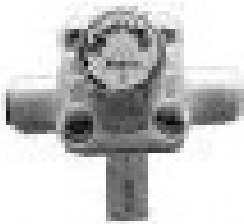
Co2 Bottle



Regulator



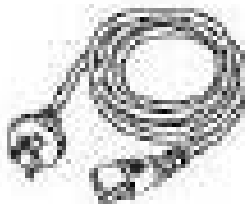
Brass Tee-Off Valve
(Plumbers Delight)



Pressure Reducing Valve



1/4" Pipe



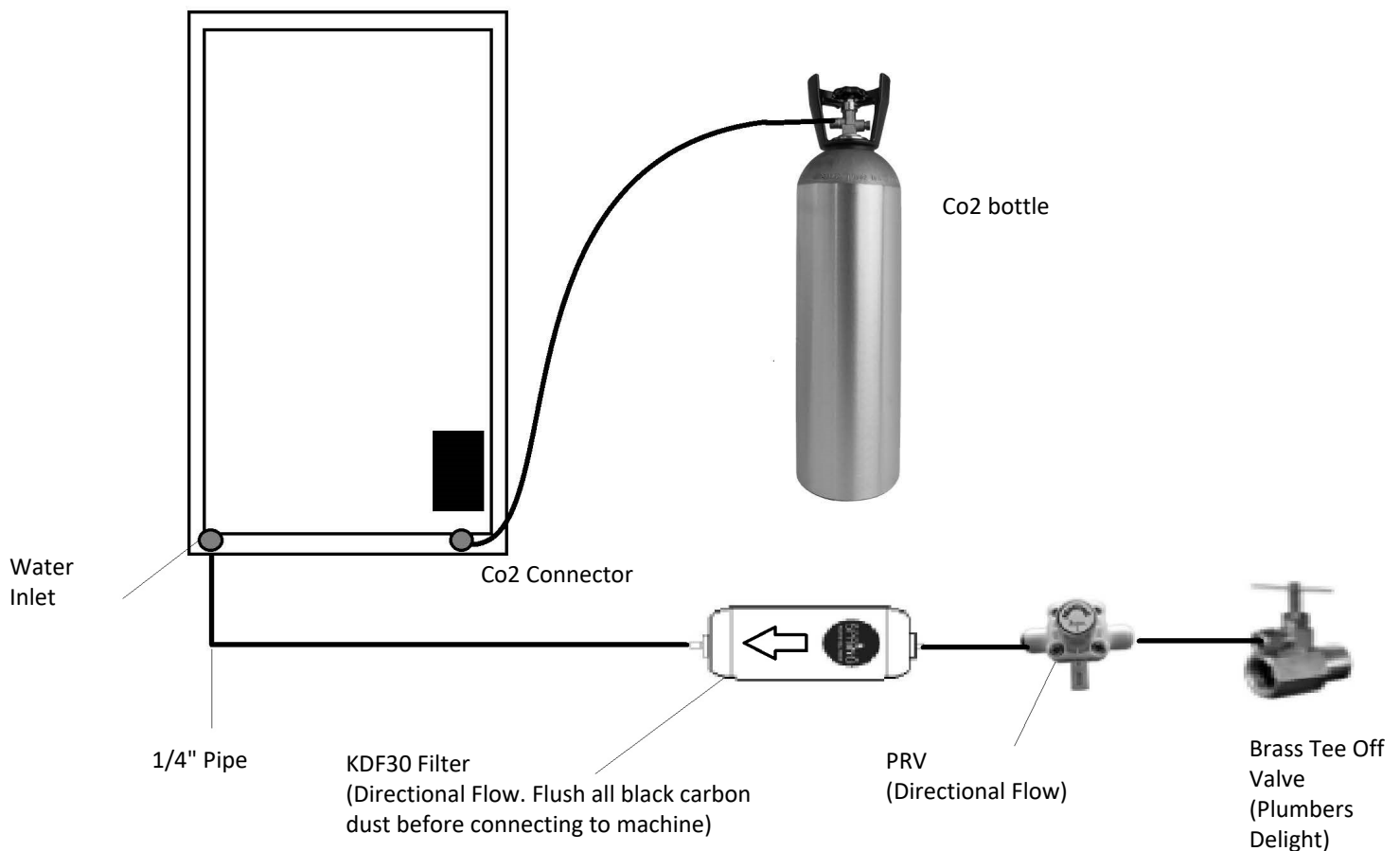
Power Cord



KDF30

PIPING INSTALLATION - DIAGRAM

2. Using the 1/4" Pipe provided connect the 1/4" Inlet ball valve to the Pressure Reducing Valve. The PRV is then connected to the KDF30 Filter and finally into the Water inlet. Please ensure the filter has been flushed before connecting. The PRV and Filter have a directional water flow, please connect as marked. See drawing B



PIPING INSTALLATION

We recommend the instructions specified in this guide be followed in sequence by a qualified tradesperson for successful installation.

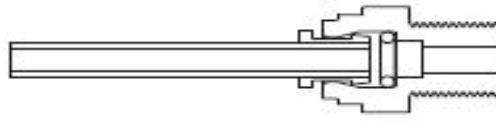
This Neotap has a 12 month warranty from purchase, but this may be voided if unsatisfactory installation results in damage to the unit.

1. Isolate the water supply. Disassemble the original COLD water Tap/Flexihose connections. Reconnect the plumbers delight inline
2. Using the 1/4" Pipe provided connect the 1/4" inlet ball valve to the Pressure Reducing Valve. The PRV is then connected to the KDF30 Filter and finally into the water inlet. Please ensure the filter has been flushed before connecting. The PRV and Filter have a directional water flow, connect as marked on the part
3. Connect the machine to the power supply using the cord at the rear of the unit. Leave power and water supply OFF
4. Place the Co2 bottle upright as close to the NEOTAP unit as possible.
5. Turn the knob fully anti-clockwise to ensure the regulator is in the OFF position
6. Connect the Co2 bottle to the regulator by screwing the regulator onto the bottle firmly (Clockwise). Be careful not to over-tighten to avoid damaging the nut
7. Attach the regulator to the Co2 connector at the rear of the unit using the 1/4" pipe provided. DO NOT OPEN REGULATOR - This is addressed in Co2 Operation
8. Ensure the whole unit and its components have at least 150mm ventilation surrounding
9. Ensure all fittings, electrical connections and piping are secure to and from the unit.
10. Turn on the Water and Power supply

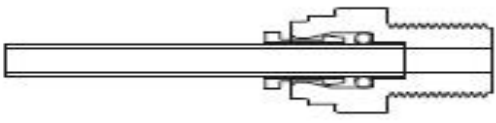
PUSH LOCK FITTING - INSTRUCTIONS



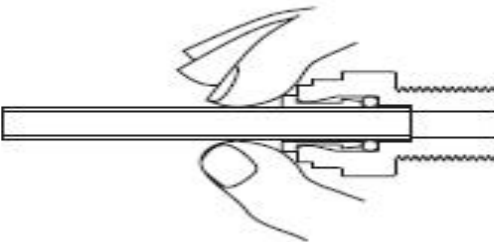
1. Cut the 1/4" Pipe square and push into the fitting. You must remove burrs and chamfer tube end for metal pipes to prevent the O-ring seal being damaged.



2. The Push lock fitting will grip before it seals. Ensure the pipe is pushed into the fitting completely



3. Pipe is secured in position

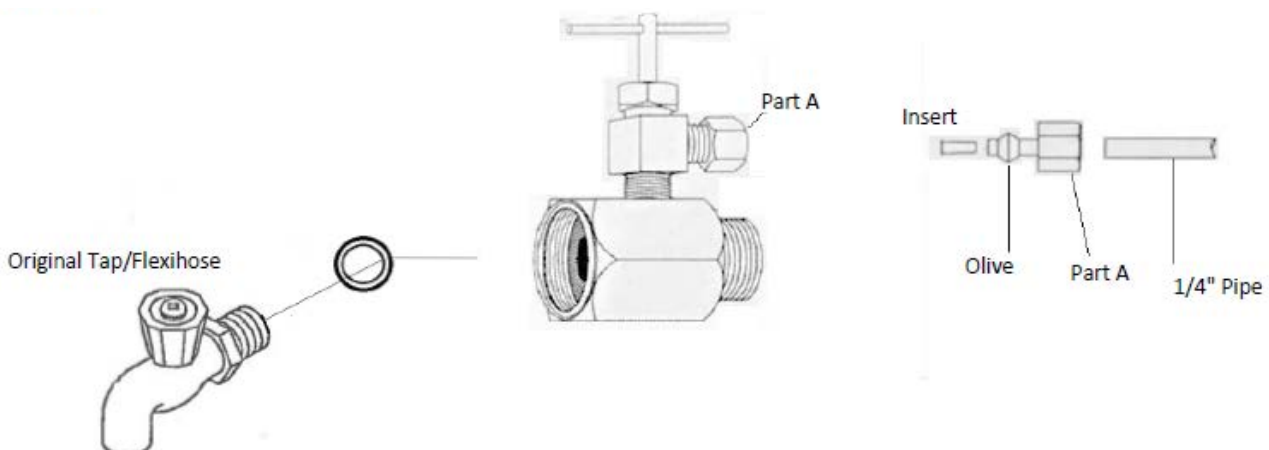


Disconnection

Push the collet against the pipe and slide out of the push lock fitting to disconnect

PLUMBERS DELIGHT - INSTALLATION

Disassemble the original Cold Water Tap and/or Flexihose connection. Reconnect the plumbers delight inline and use tee-off for the 1/4 inch connection to feed machine



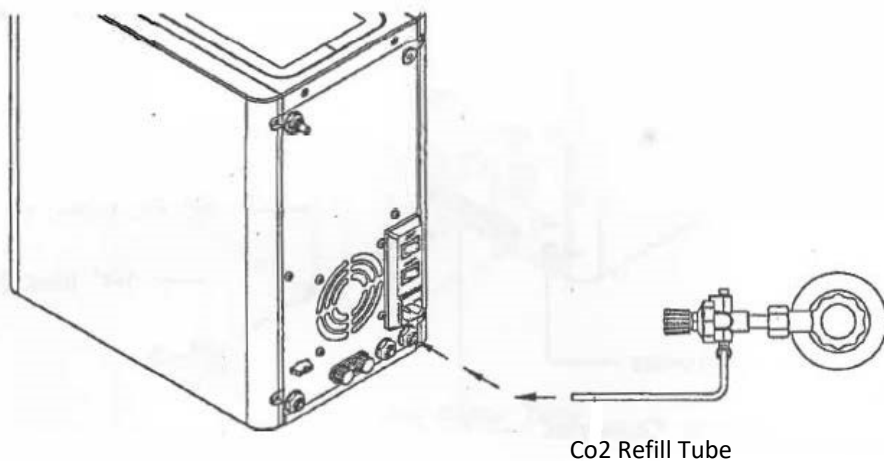
Co2 BOTTLE - INSTALLATION

1. Ensure the Co2 bottle is connected firmly to the regulator and the Co2 tube is fitted correctly.
2. Slowly turn the dial on the regulator clockwise until the gauge reads 3BAR

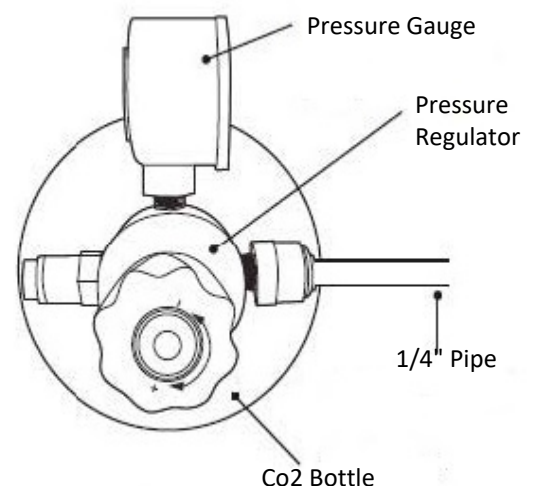
(Note: If you want to reduce the pressure you must first turn the dial anticlockwise and then vent to relieve existing pressure. The gauge will then settle and read accurately)

3. Turn off the water at the valve and purge any air from the sparkling line by pressing the sparkling button on the tap for 30 seconds.
4. Turn the water back on at the valve and the SODA switch at the rear of the unit.
5. Press the sparkling button on the tap for 15 seconds to allow any excess Co2 to be dispensed
6. Operate the sparkling button on the tap 2-3 times for 15seconds each time (1minute cooldown) until you notice the water is sparkling. Pressure will fluctuate between 3-4 bar

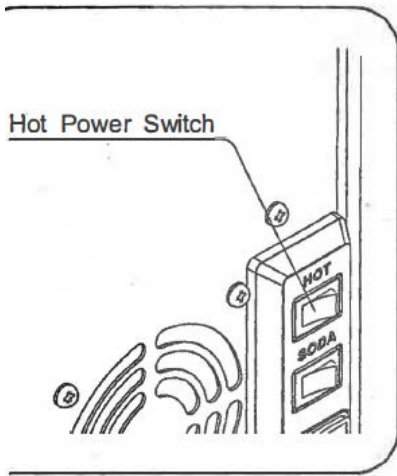
All Co2 bottles should be upright during use, storage and transit. If the bottle has been left horizontal, place upright and stand for 60+ minutes before use to allow contents to settle



TOP VIEW - Co2 Bottle

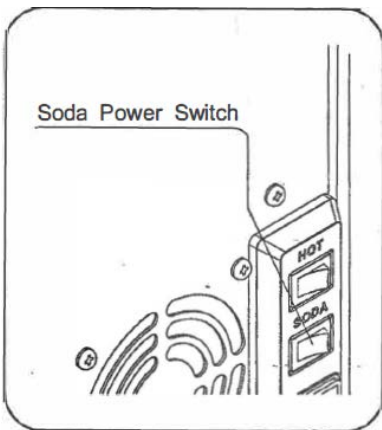


Water Operation Method



HOT OPERATION

1. Turn on the Power supply
2. Push the HOT button on the machine and make sure the water flows before you turn on the HOT switch at the back of the unit (This will ensure the HOT tank is full to prevent burning out the element)
3. Once the HOT switch is on the LED light will illuminate. It will turn off once the water is heated
4. Press the HOT button twice for HOT water (First to unlock, second for water to flow)

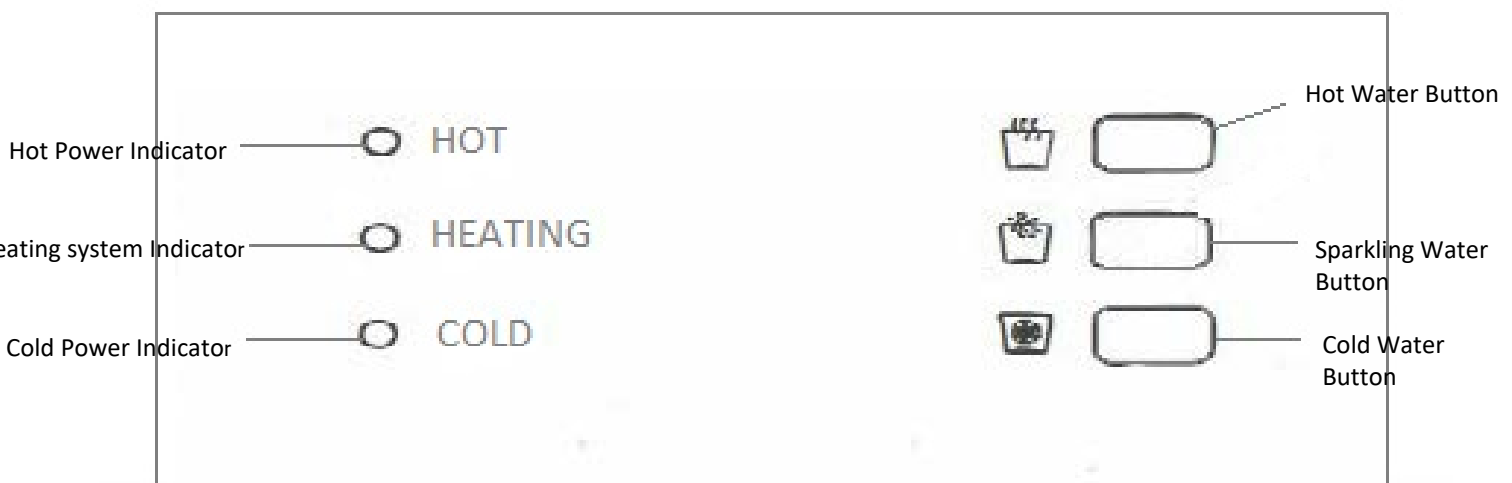


SPARKLING OPERATION

1. After connecting the machine to the Co2 bottle turn on the SODA switch at the rear of the unit
2. Press any button to fill the SODA Tank (Allow 40 minutes cooling time)
3. Press the SODA button for Sparkling Water

COLD OPERATION

Press the COLD button for Chilled water

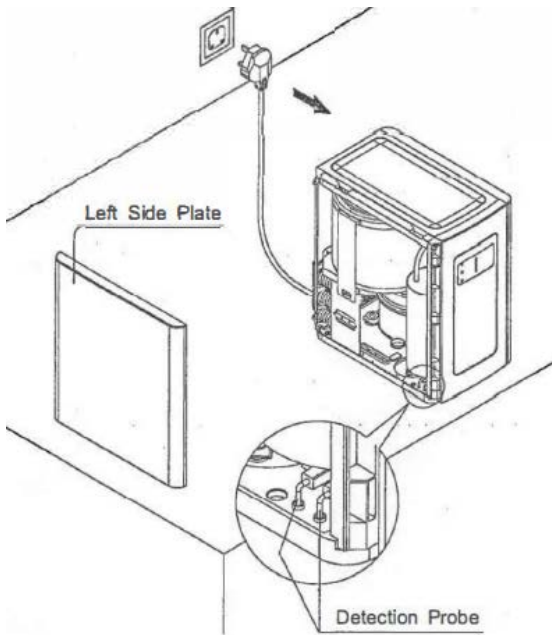


For security reasons the water will stop running after 1 minute. If you need more water please re-push the water button

Trouble Shooting

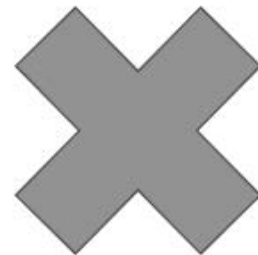
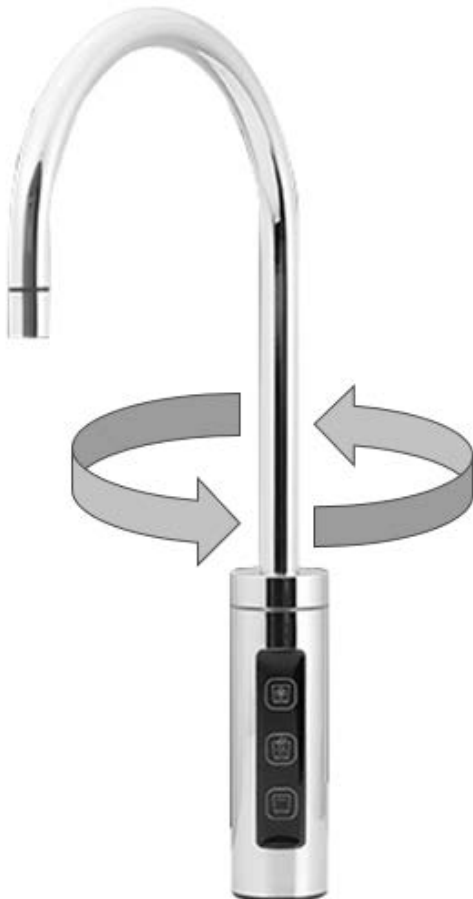
Problem	Cause	Solution
Water not Cold	Cold Temperature knob is off	Turn the cold temperature knob clockwise to 5
	Refrigerant is short	Call for service
	Problem with compressor or thermostat	Call for service
No cold water from tap	Ice blockage	Please turn off the COLD power switch for 24hr to allow ice block to melt
	No water inside the cold tap	Check mains supply
LED in faucet flashing	Leakage detection device activated	The leakage device has been activated as the probe has detected water as per diagram below. Call for service
Change in taste of water	Filter needs to be changed	We recommend changing the filter every 1-2 years. Turn off water supply and replace filter as per installation diagram 1
Sparkling not working or no water from tap (OPTIONAL)	Insufficient water supply	Refill water
	Soda power is off	Turn on switch
	Co2 output pressure is too high making the water dispenser short out	Close the Co2 bottle and release the pressure from the pressure regulator. Press the soda water tap to drain out the water and release the pressure inside the tank. Turn off the SODA water switch when soda water is drained. Reopen the Co2 bottle and set the Co2 output to 3 <u>bar</u> . Turn on the SODA power switch again to start producing soda water
Not enough "Sparkle" (OPTIONAL)	Co2 has run out	Refill Co2 bottle

LEAKAGE DETECTION - DIAGRAM



This device has a leakage detection probe fitted for safety purposes. When the probe detects moisture you may notice the LED on the machine flashing accompanied by a beeping noise. We recommend turning off the electricity at the power supply and calling a qualified technician to carry out this work for your safety.

TAP SWIVEL - WARNING



NO SWIVELLING TAP 360°

Internal tubes and cables within the faucet cannot handle completed rotation and will be damaged if turned more than 180 degrees.

Swivel feature is intended to find correct placement on the benchtop. Once placed, the tap should be left alone to avoid damage.

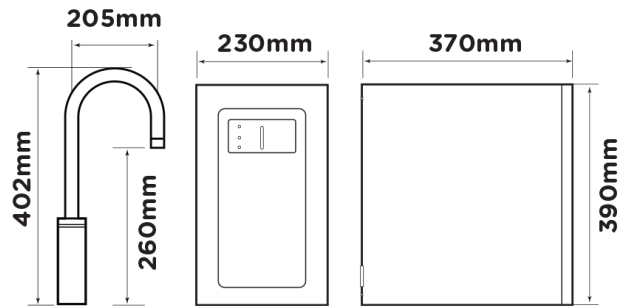
PRODUCT DATA SHEET

Spring NeoTap

INSTANT TAP

Overview

Underbench filter with integrated unit for boiling, chilled, sparkling and ambient drinking water.



Model	Sparkling, Boiling & Chilled, Boiling, Chilled & Ambient, Sparkling, Chilled & Ambient
Filtration	Premium KDF/GAC 30, 1 Micron Filtration
Cold Temperature	4C to 10C
Chilling Capacity	20 Litres per hour
Heating Capacity	12 Litres per hour
Maximum Power consumption	Direct chill system 100W
Weight	18kg
Finish	Chrome
Water connection	1/2 inch
Power requirements	Standard 10amp power outlet (earth leakage protected)
Max. recommended inlet pressure	500 kPa
Required hole for the tap	25mm
Ideal under sink dimension	(w x d h) 750 x 660 x 520mm